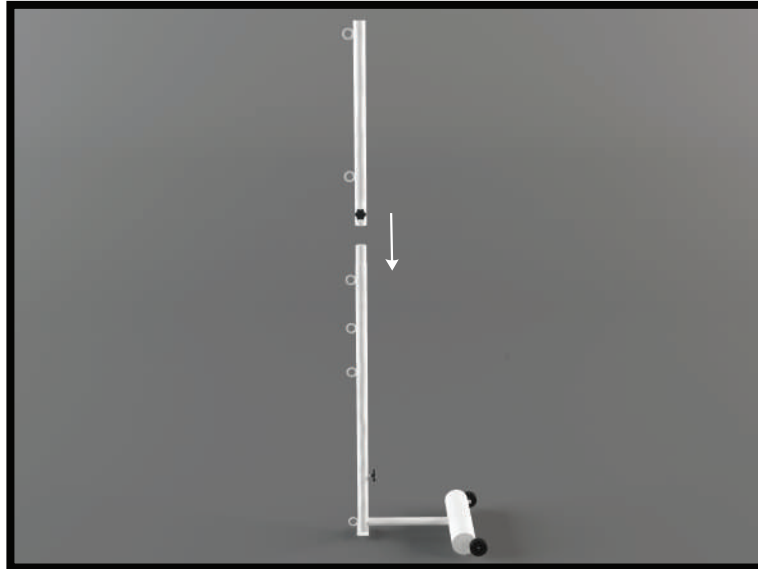
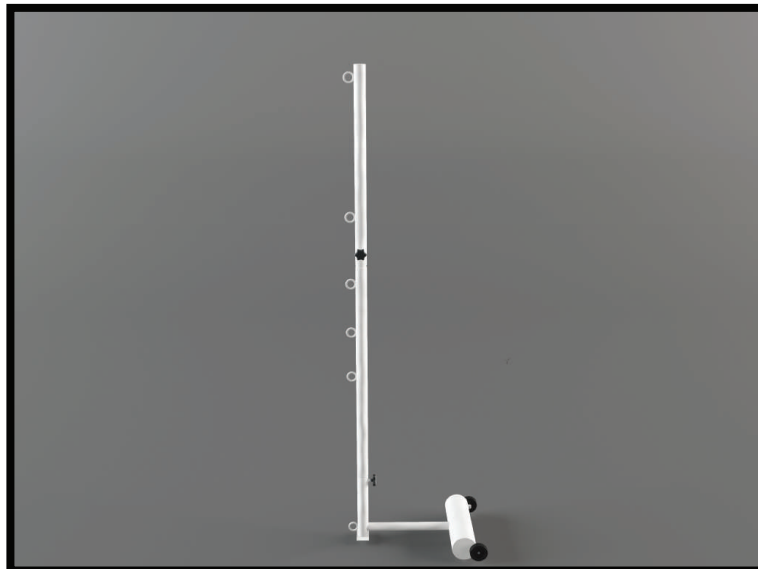


Installation Manual

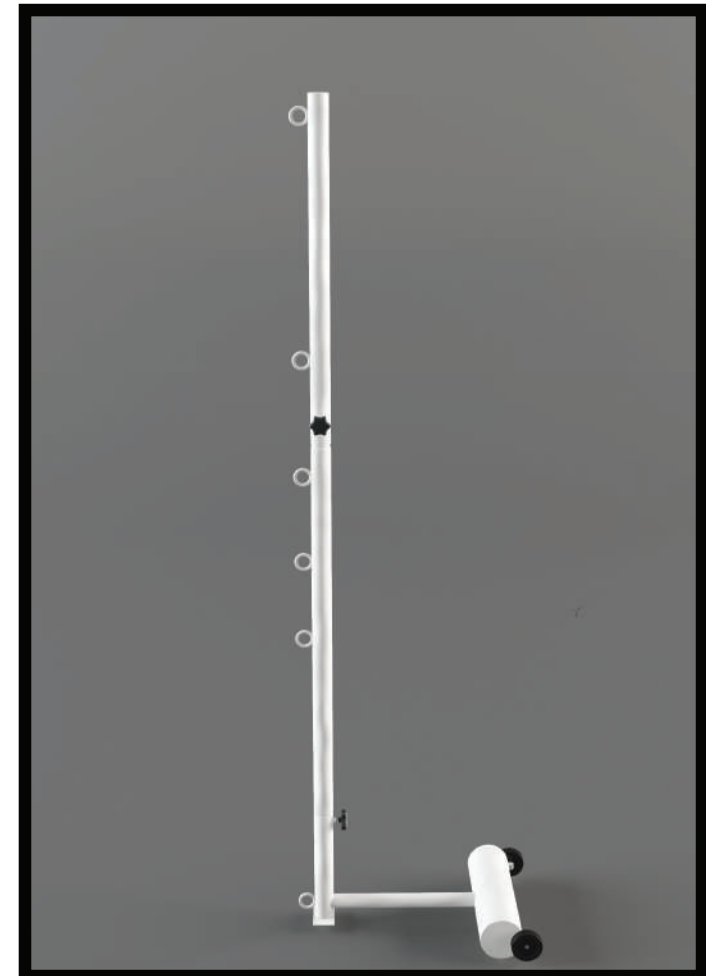
**3 IN 1 VOLLEYBALL / BADMINTON / TENNIS POST
(VBTPS-4000)**



Step 4.



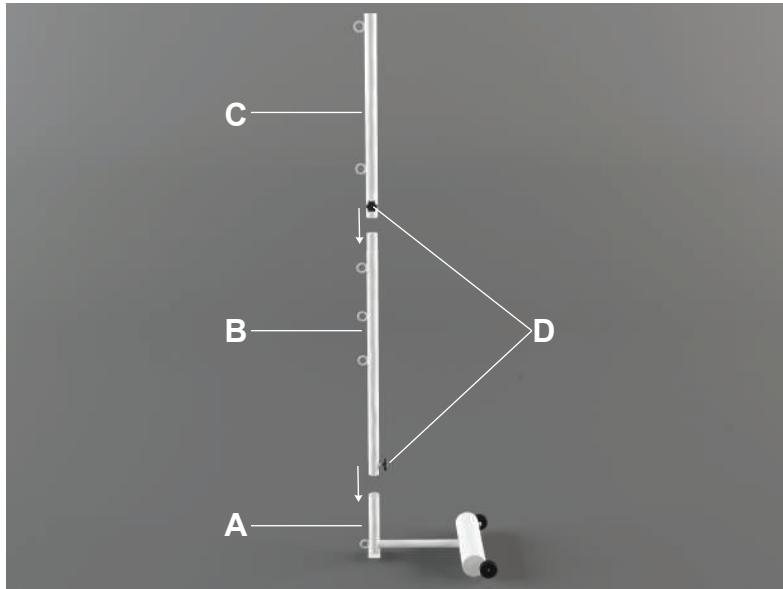
Step 5.



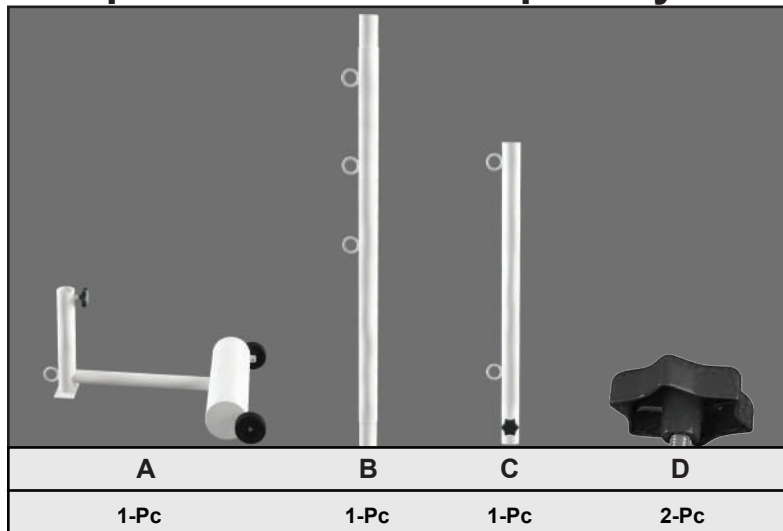
NOTE :

If you have any queries or concerns, Please ask the company for more Information.

Fully Detached view



Components and there quantity



Please
Review the parts/Components Indenter & make sure
that you have all parts before starting assembling



Step 1.



Step 2.



Step 3.