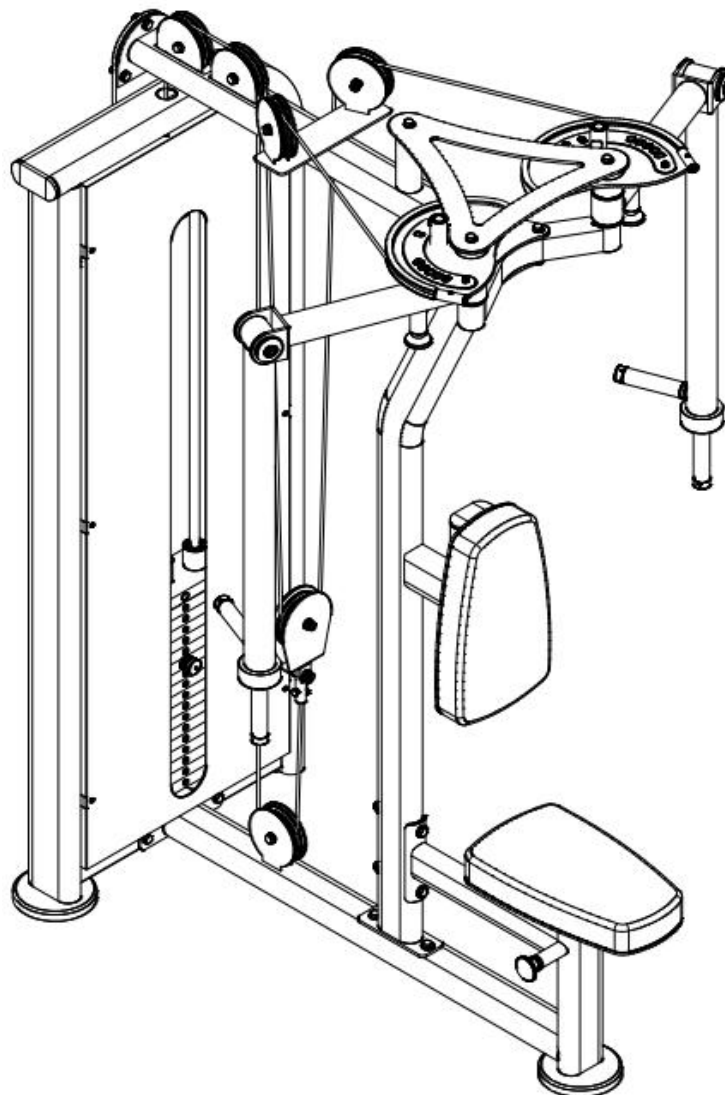


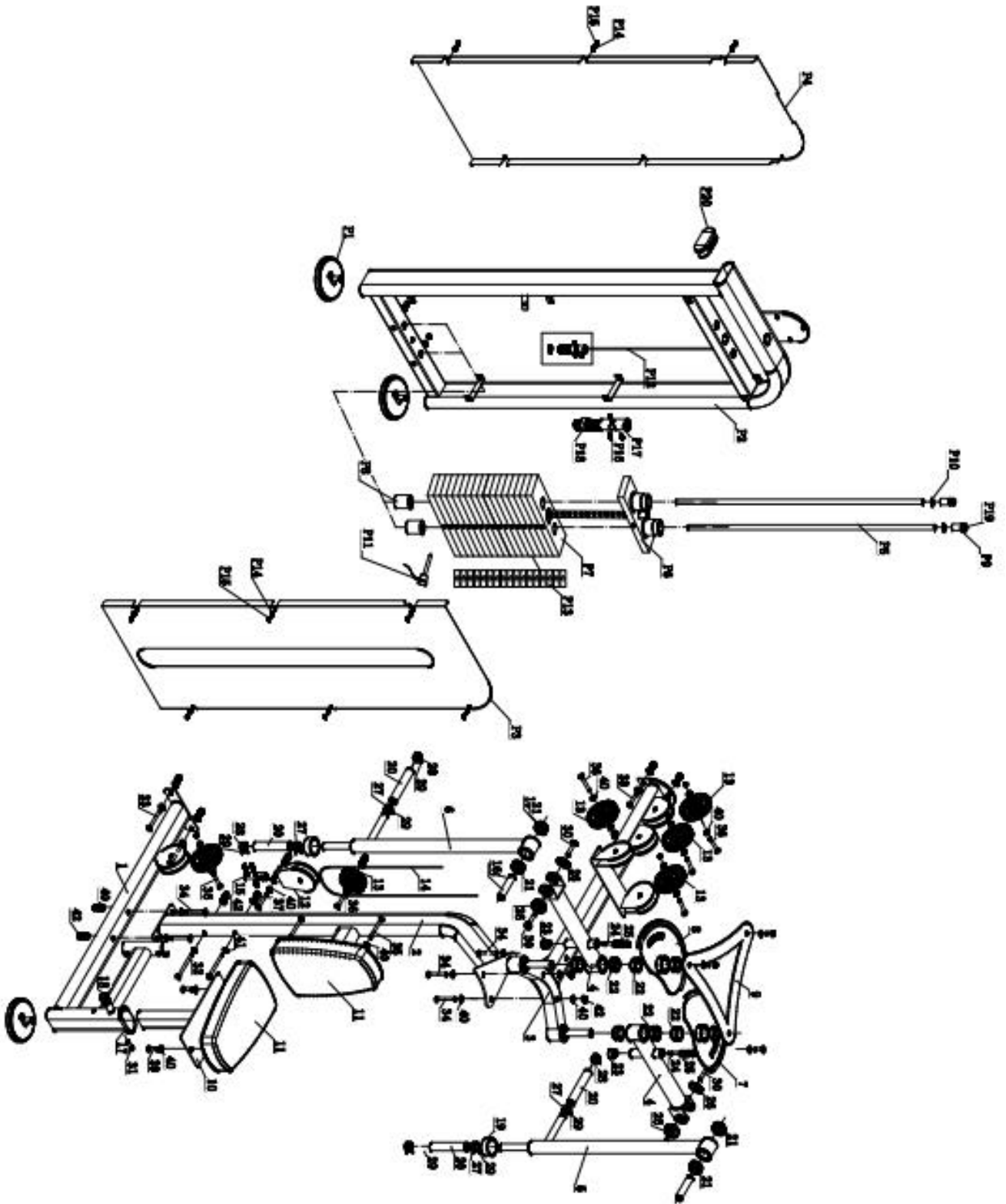


HIT FITNESS

**Hit Fitness Comm Pec Fly / Read
Deltoid HL-015
HIT00756**



EXPLORE DRAWING



MAIN FRAME COMPONENT LIST

ITEM NO.	DESCRIPTION	QTY.
1	Base frame	1
2	Upright	1
3	Up support frame	1
4	Rocker contact frame	2
5	Left rocker	1
6	Right rocker	1
7	Left adjusting plate	1
8	Right adjusting plate	1
9	Up fixed plate	1
10	Adjustable frame of seat	1
11	Seat	2
12	Pulley frame	1
13	Pulley	6
14	Rope2	1
15	Rope fixed shaft	1
16	Rotating shaft	2
17	Adjustable bush	1
18	Pull forelock	1
19	Handlebar cover	2
20	Plastic handlebar	4
21	Bearing F1935	4
22	Bearing F-6205	8
23	Pull forelock cap	2
24	Pull forelock shaft	2
25	Pull forelock spring	2
26	Arc aluminum tube	4
27	Handlebar aluminum gear sleeve	4
28	Handlebar aluminum end cap	4
29	M4*3 Fasten bolt	16
30	M10*30 Countersunk bolt	4
31	M8*25 Stud bolt	1
32	M10*120 Hex bolt	2
33	M10*90 Hex bolt	2
34	M10*80 Hex bolt	5
35	M10*70 Hex bolt	4
36	M10*50 Hex bolt	6
37	M10*40 Hex bolt	1
38	M10*35 Hex bolt	3
39	M10*25 Hex bolt	4
40	Φ10 Washer	41

41	Φ10 Arc Washer	4
42	M10 Nylon nut	19

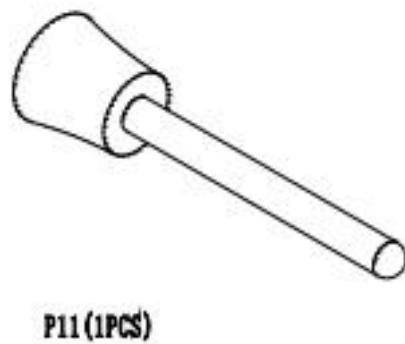
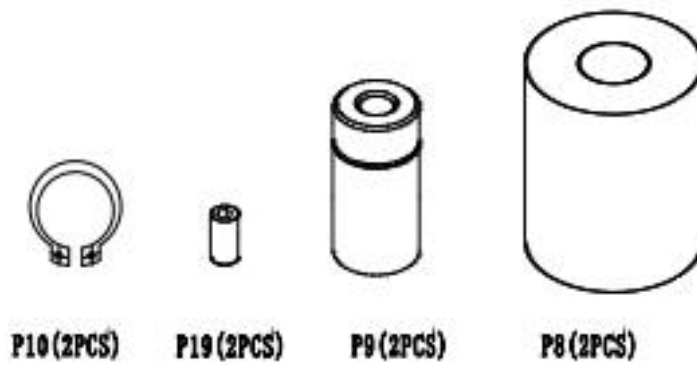
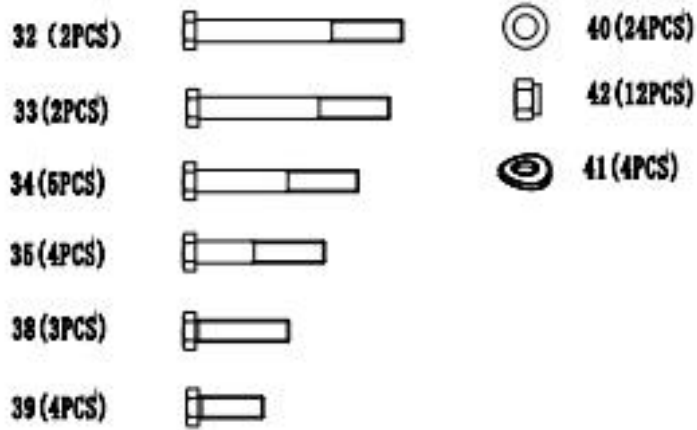
WEIGHT STACK BOX COMPONENT LIST

PART NO	PART NAME	Q'TY
P1	Adjustable foot plate	3
P2	Weight stack box	1
P3	Front transparent cover	1
P4	Rear transparent cover	1
P5	Guide rod	2
P6	Top plate assembly	1
P7	Weight stack	19
P8	Damping block	2
P9	Guide rod fixed aluminum sleeve	2
P10	Shaft circlips	2
P11	Strong magnetic latch	1
P12	Rope	2
P13	Weight stack label	1
P14	Plastic washer	18
P15	M5*15 Screw	18
P16	M6*12 Socket bolt	12
P17	Rope fixed rod	1
P18	M16 Nut	1
P19	M10*20 Socket bolt	2
P20	Oval flat plug	1

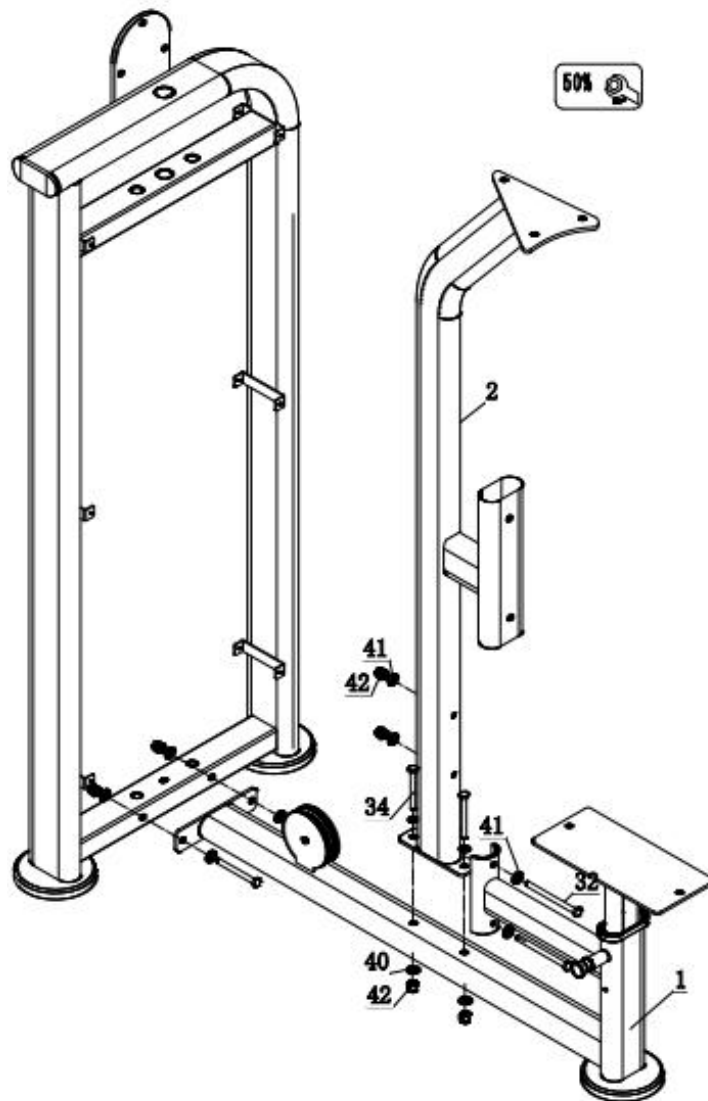
HARDWARE LIST

ITEM NO.	DESCRIPTION	QTY.
32	M10*120 Bolt	2
33	M10*90 Bolt	2
34	M10*80 Bolt	5
35	M10*70 Bolt	4
38	M10*35 bolt	3
39	M10*25Bolt	4
40	Φ10 Washer	24
41	Φ10 Arc Washer	4
42	M10 Nylon nut	12
P8	Damping block	2
P9	Guide rod fixed aluminum sleeve	2
P10	Shaft circlips	2
P11	Strong magnetic latch	1

P14	Plastic washer	18
P15	M5*15 bolt	18
P16	M6*12 bolt	9
P17	Rope fixed rod	1
P18	M16 Nut	1
P19	M10*20 bolt	2

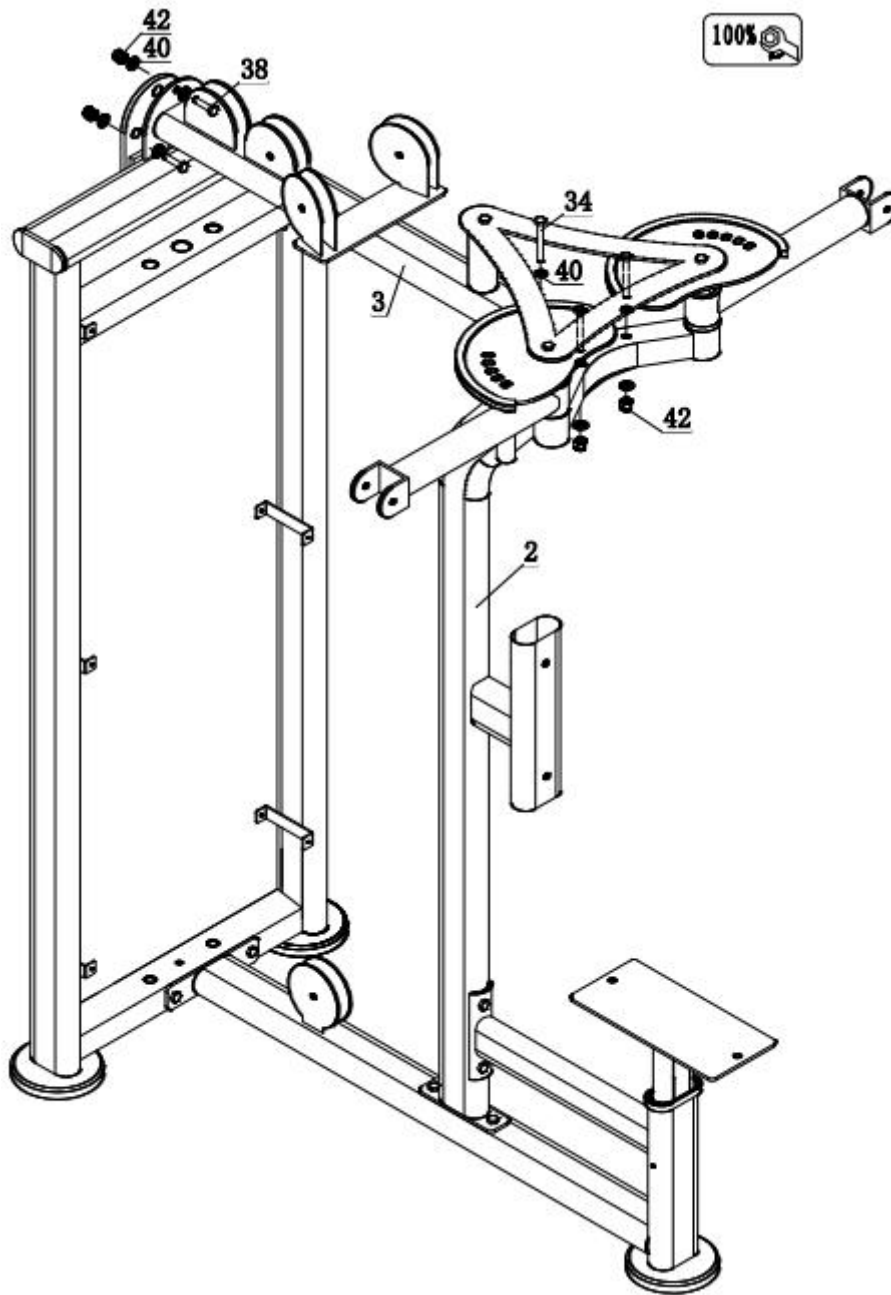


ASSEMBLY INSTRUCTIONS



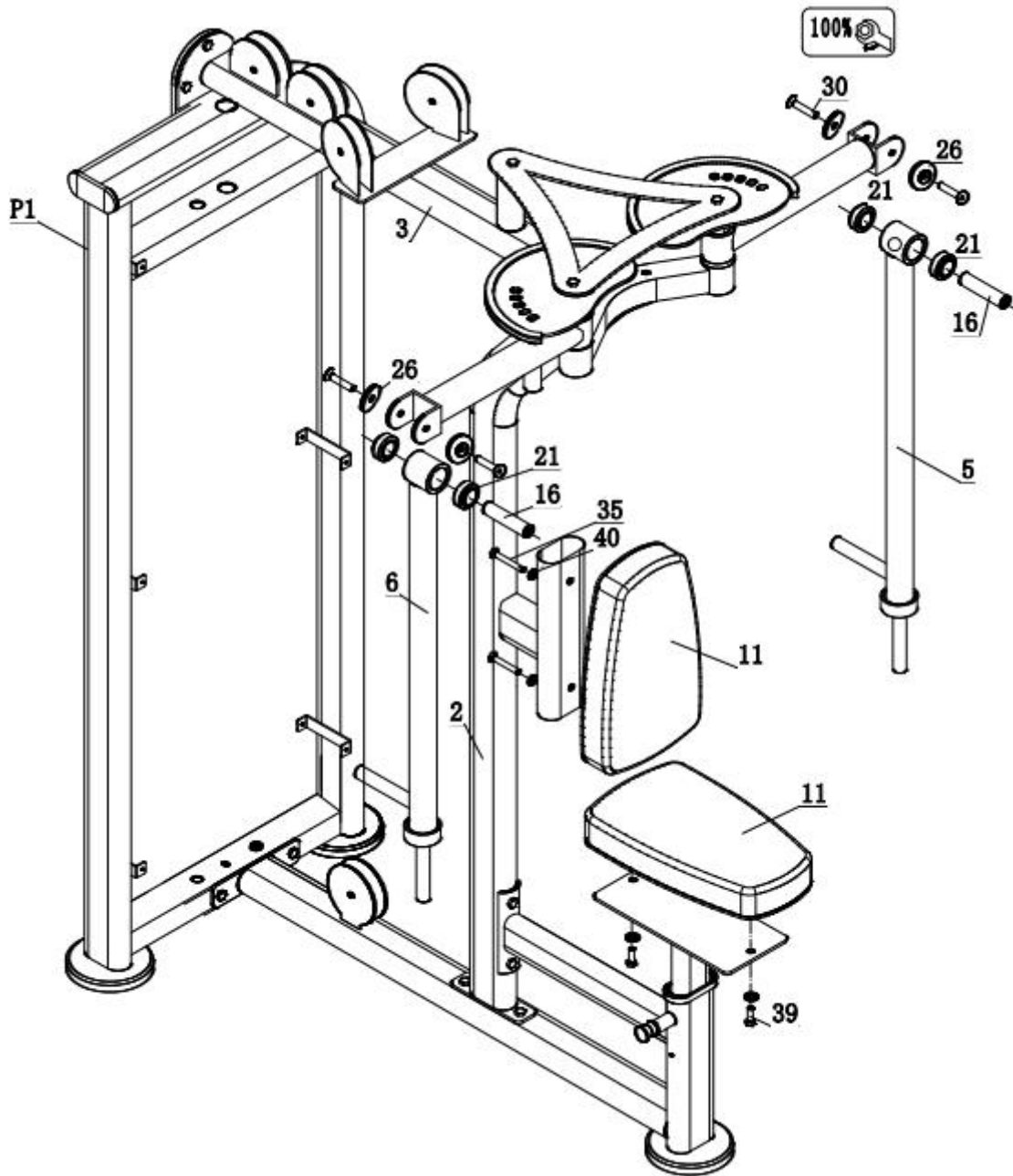
Step1:

1. Fix Main frame 1 to Weight stack box P1.
2. Fix Upright 2 to Main frame 1 with Ø10 Washer 40, Ø10 Arc Washer 41, M10 Nylon Nut 42 and M10*80 Bolt 34.



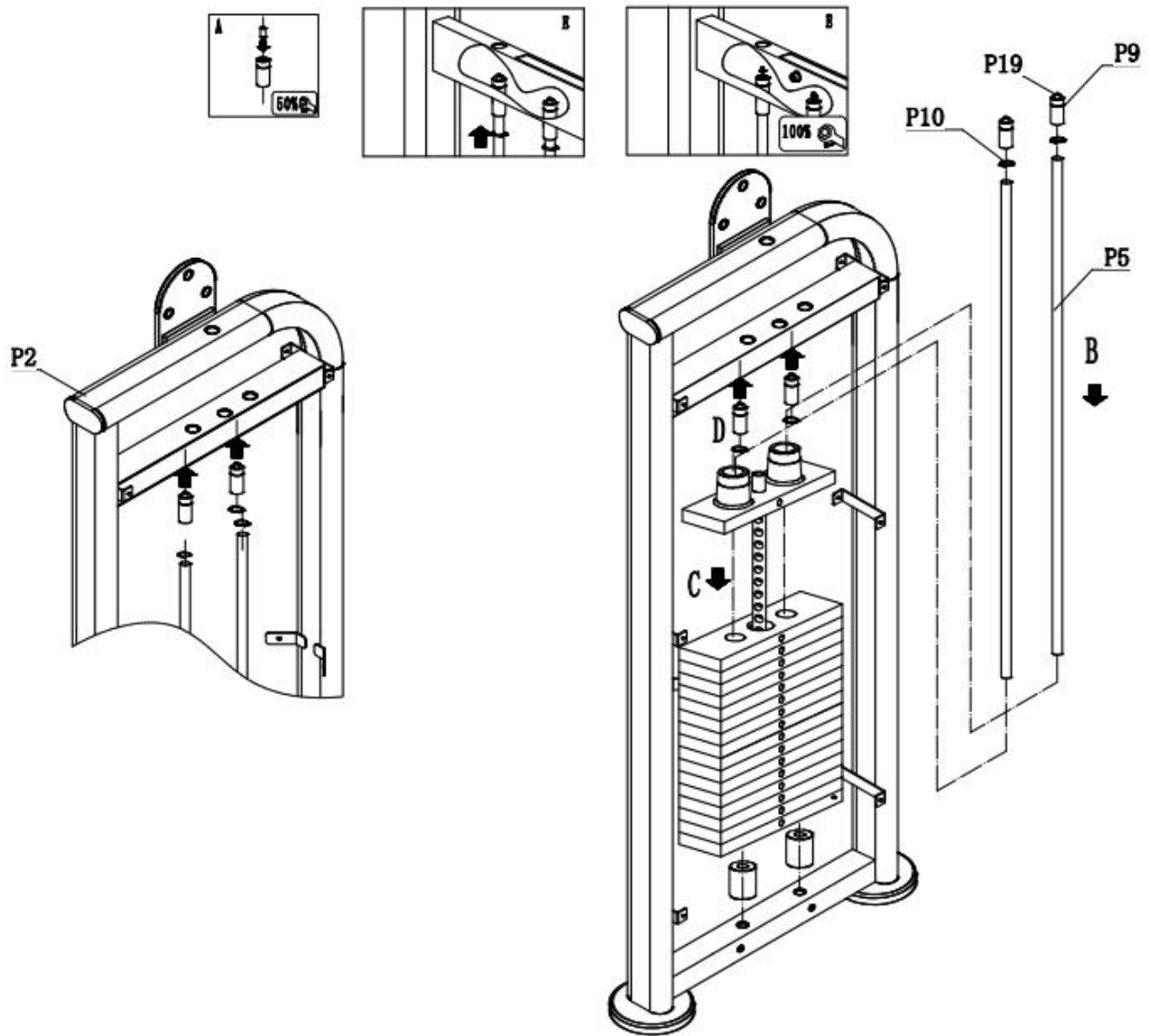
Step2:

- 1.Fixed Up support frame 3 to Upright 2 with $\varnothing 10$ Washer 40, M10 Nylon Nut 42 and M10*80 Bolt 34.
- 2.Fixed Up support frame 3 to Weight stack box P1 with $\varnothing 10$ Washer 40, M10 Nylon Nut 42 and M10 *35 Bolt 38.



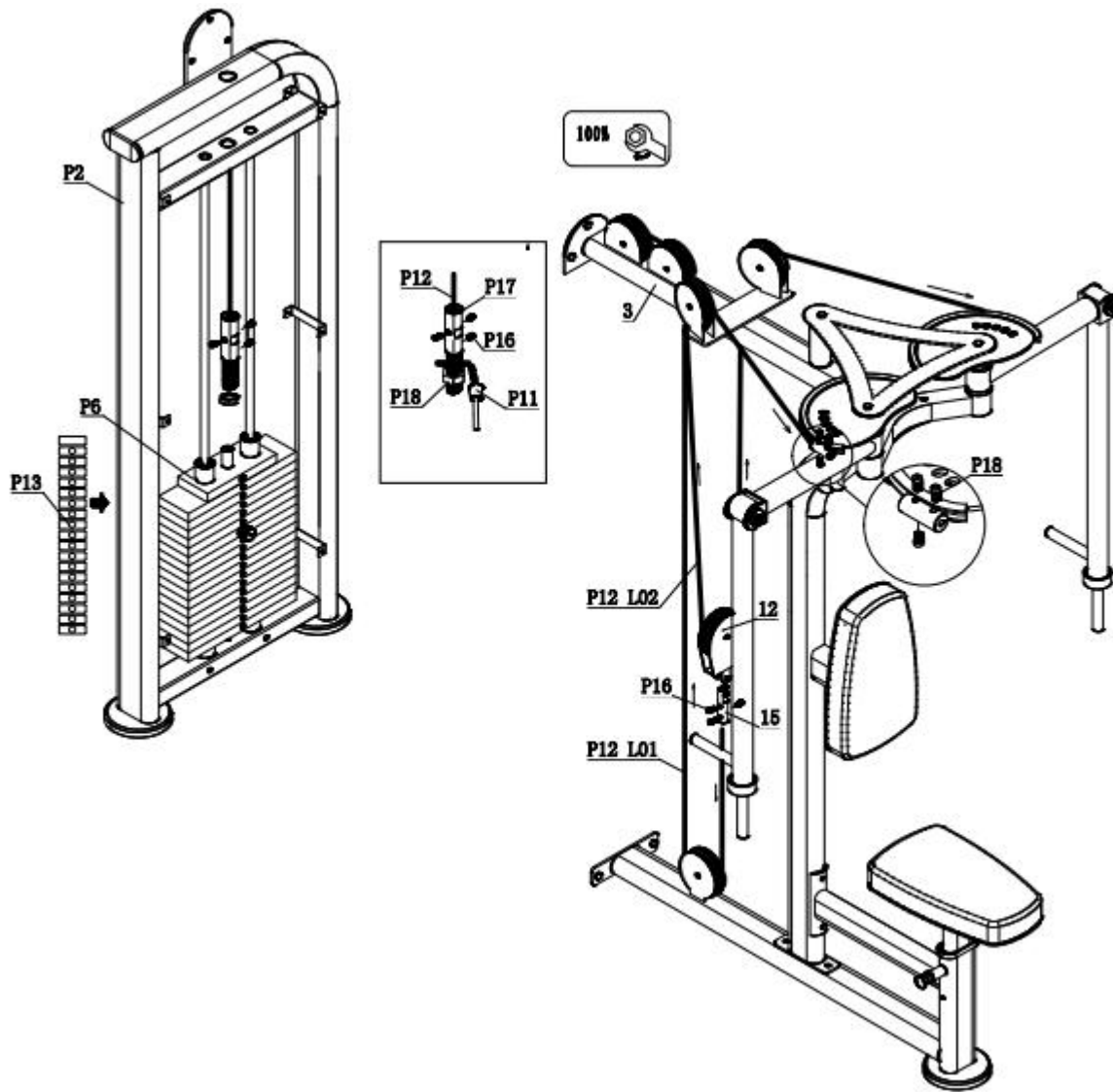
Step3:

- 1.Fixed Left rocker 5 and Right rocker 6 to Upright 2 with Rotating shaft 16,Bearing 21,Arc aluminum tube 26 and M10 * 30 Bolt 30.
- 2.Fixed Seat 11 to Upright 2 with Ø10 Washer 40 and M10 * 70 Bolt 35.
- 3.Fixed Seat 11 to Main frame1 with Φ 10 Washer 40 and M10 * 25 Bolt 39.



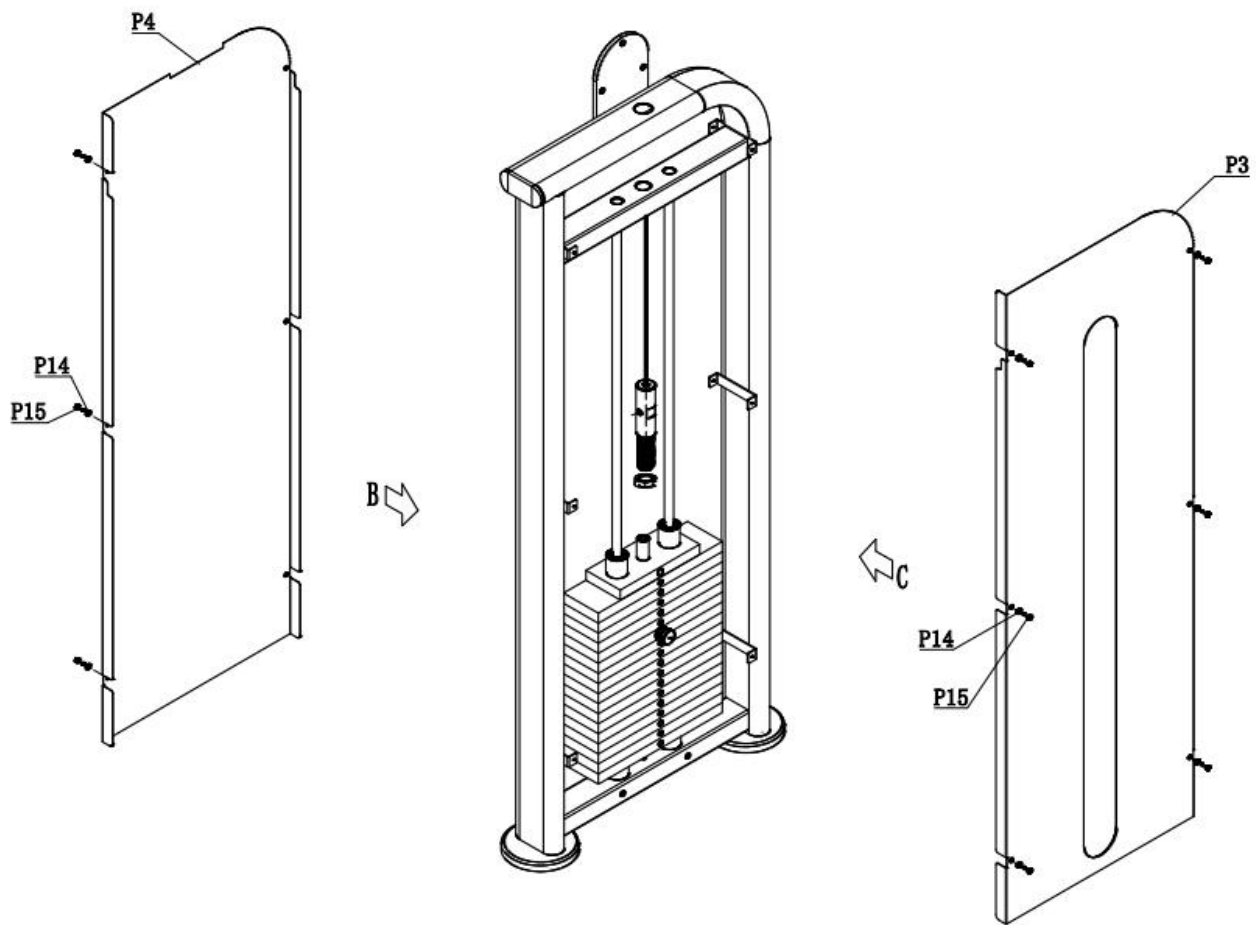
Step4:

- 1.Fixed Guide rod P5 to Weight stack box P1.
 2. Insert Weight stack P7 to Guide rod P5.
 - 3.Fixed Top plate assembly to Guide rod P5.
 - 4.Insert Guide rod P5 to Weight stack box P1 with Guide rod fixed aluminum sleeve P9, Shaft circlip P10 and M10*20 bolt P19.
- Fix in order A-B-C-D-E.
- 5.Fixed Pulley P7 onto Weight stack box P1 with M10 * 60 bolt P19, M10 Nylon Nut P24, Pulley connect sleeve P26 and Rope stop iron P27.



Step5:

1. Fix Rope P12 and Strong magnetic latch P11 to Rope fixed rod P17 with M6*12 bolt and M16 Nut P18.
2. Rope P12 goes as showed above.



Step6:

Fix Front transparent cover P3 and Rear transparent cover P4 to weight stack box P1 with Plastic washer P14 and M5*15 bolt P15.