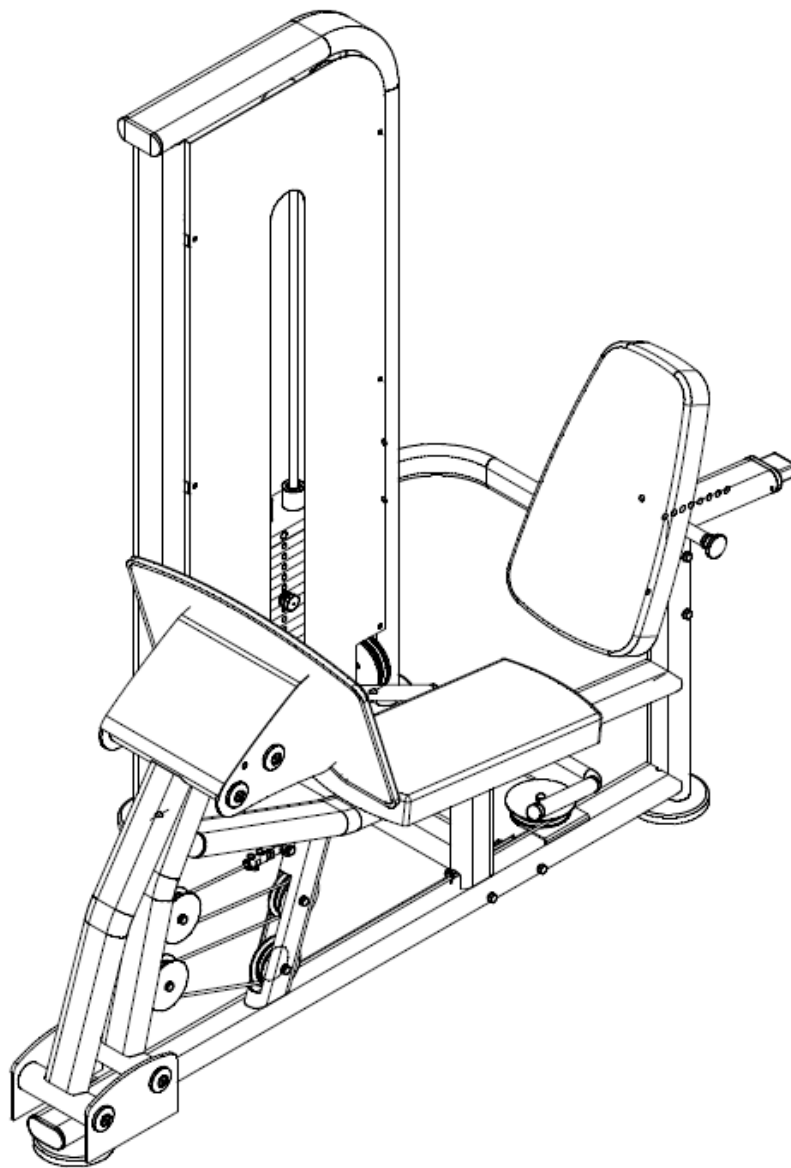


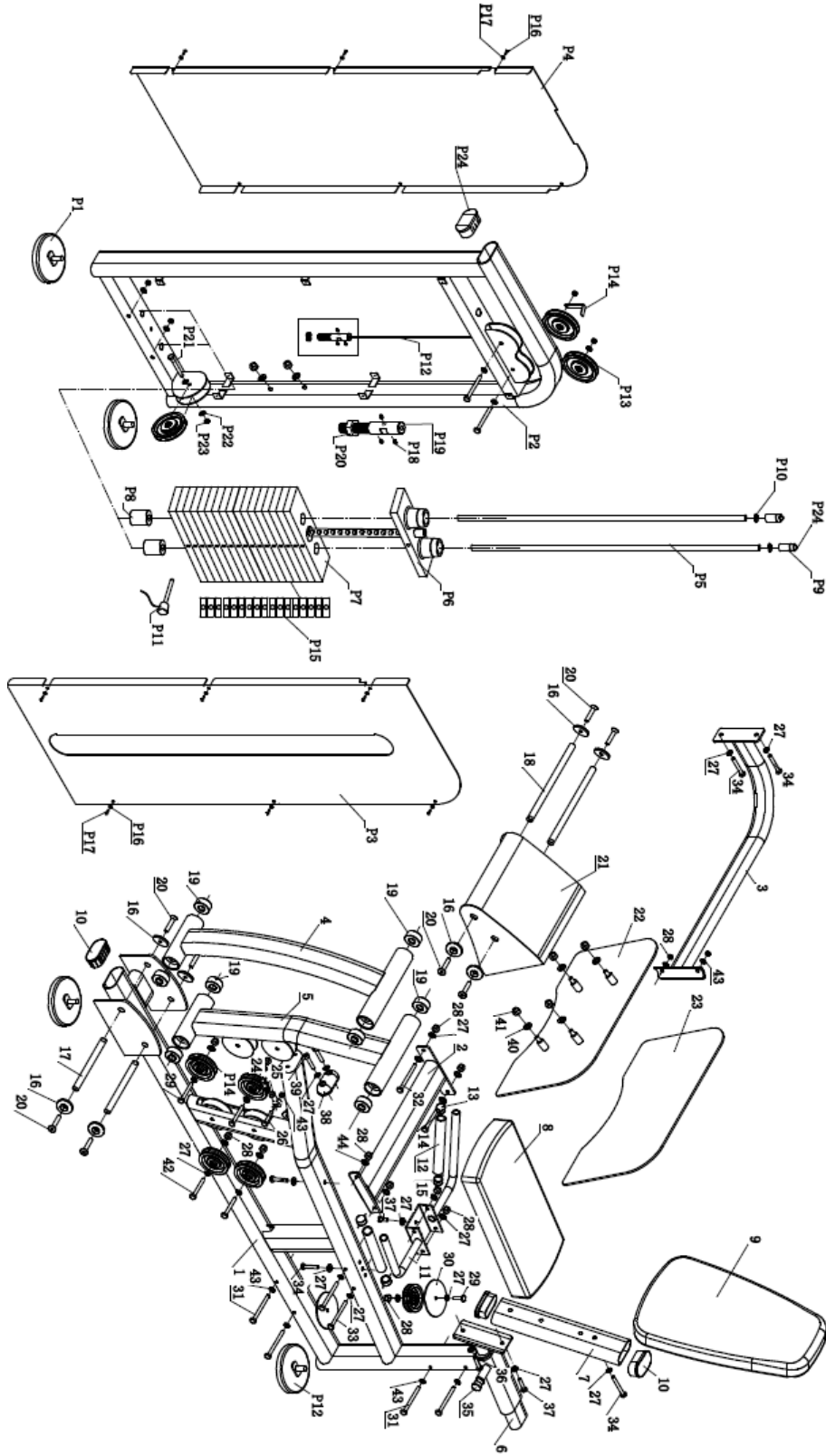


HIT FITNESS

**Hit Fitness Comm Leg / Calf Press
HIT00757**



PARTS LIST



PARTS LIST

PART NO	PART NAME	Q'TY
1	Main frame	1
2	Bottom strengthen frame	1
3	Side strengthen frame	1
4	Front rotating frame	1
5	Rear rotating frame	1
6	Back pad adjust frame	1
7	Back pad fix tube	1
8	Seat	1
9	Back pad	1
10	Flat oval plug	3
11	Handlebar	1
12	Dipping handlebar	2
13	Handlebar aluminum end cover	2
14	M4*3 Fasten bolt	8
15	Aluminum gear sleeve	2
16	Arc aluminum end cover	8
17	Down rotating fix shaft	2
18	Up rotating fix shaft	2
19	F-6205 Bearing	8
20	M10*30mm Screw	8
21	Pedal fix frame	1
22	Pedal	1
23	Pedal mat	1
24	Rope fix shaft	1
25	Rod end joint bearing	1
26	M10*40mm Hex bolt	1
27	Φ10 Washer	42
28	M10 Lock Nut	22
29	M10*50mm Hex bolt	3
30	Pulley cover	1
31	M10*120mm Hex bolt	6
32	M10*90mm Hex bolt	2
33	M10*130mm Hex bolt	2
34	M10*70mm Hex bolt	6
35	Pull pin	1
36	Bush	2
37	M10*25mm Hex bolt	6
38	Limit block	1
39	M8*30mm bolt	2
40	Φ12 Washer	4

41	M12 Lock Nut	4
42	M10*65mm Hex bolt	2
43	Φ10 Arc Washer	12


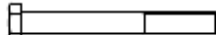
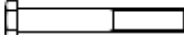

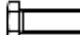




WEIGHT STACK BOX COMPONENT LIST




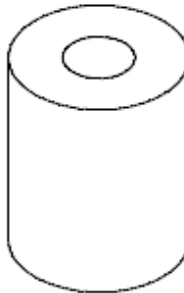
PART NO	PART NAME	Q'TY
P1	Ground plate	2
P2	Weight stack box	1
P3	Front cover	1
P4	Rear cover	1
P5	Guide rod	2
P6	Top plate assembly	1
P7	Weight stack	19
P8	Damping block	2
P9	Guide rod fix aluminum sleeve	2
P10	Shaft ring	2
P11	Strong magnetic pull pin	1
P12	Rope	1
P13	Pulley	6
P14	Pulley stop iron	1
P15	Weight stack label	1
P16	Flat washer	12
P17	M5*15 Screw	12
P18	M6*12 bolt	6
P19	Rope fix rod	1
P20	M16 Nut	1
P21	M10*50 bolt	3
P22	Φ10 Washer	6
P23	M10 Lock Nut	3
P24	M10*20 Fasten bolt	2
P25	Flat oval plug	1

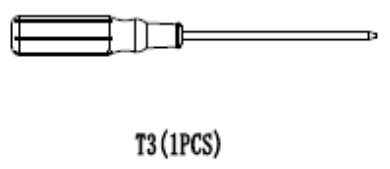
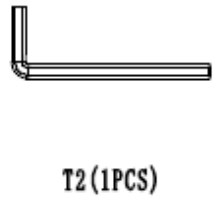
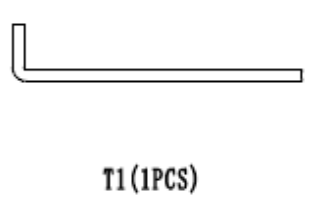
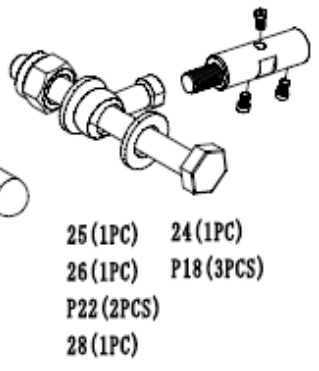
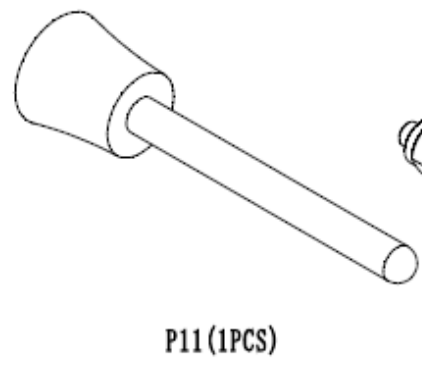
HARDWARE KIT

PART NO.	PART NAME	Q'TY
24	Rope fix shaft	1
25	Rod end joint bearing	1
26	M8*40mm Hex bolt	1
33	M10*130mm Hex bolt	2
31	M10*120mm Hex bolt	4

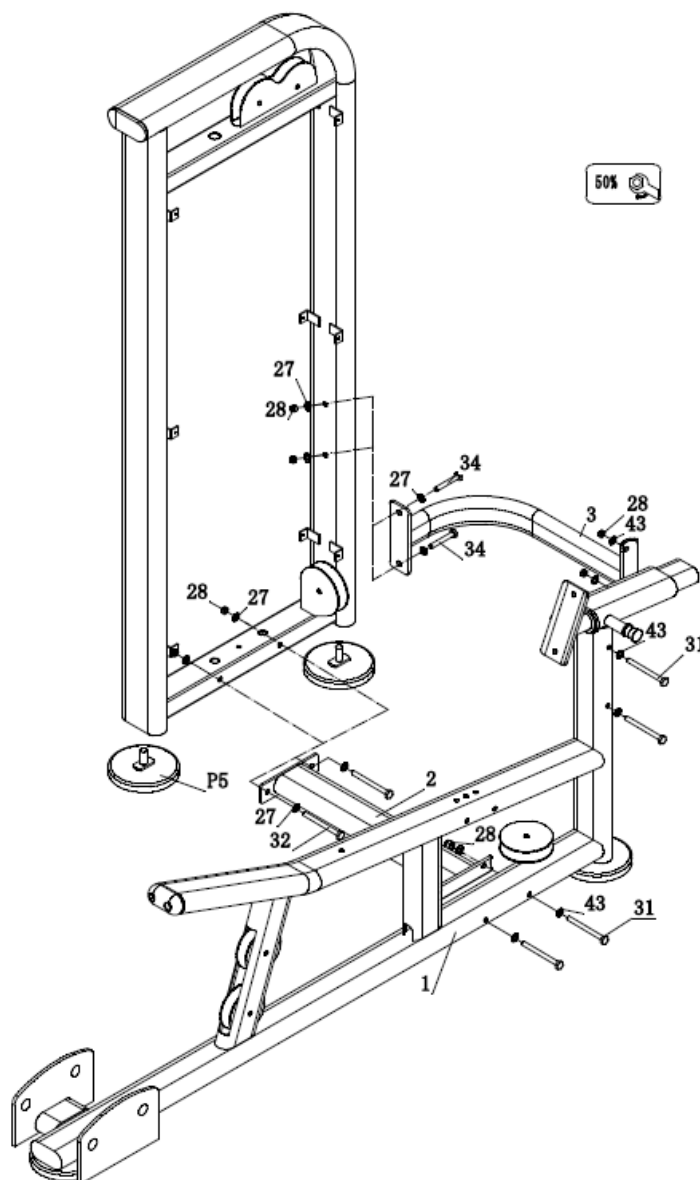
32	M10*90mm Hex bolt	2
34	M10*70mm Hex bolt	2
37	M10*25mm Hex bolt	6
27	Φ10 Washer	18
43	Φ10 Arc washer	8
28	M10 Lock Nut	10
41	M12 Lock Nut	4
P8	Damping block	2
P9	Guide rod fix aluminum sleeve	2
P10	Shaft ring	2
P11	Strong magnetic latch	1
P16	Flat washer	12
P17	M5*15 Screw	12
P18	M6*12 bolt	3
P19	Rope fix rod	1
P20	M16 Nut	1
P24	M10*20 Fasten screw	2
T1	5# Long allen wrench	2
T2	6# Allen wrench	1
T3	Screw driver	1

- 33 (2PCS) 
- 31 (4PCS) 
- 32 (2PCS) 
- 34 (2PCS) 
- 37 (6PCS) 
- 27 (18PCS) 
- 28 (10PCS) 
- 41 (4PCS) 
- 43 (8PCS) 

-  P10 (2PCS)
-  P24 (2PCS)
-  P9 (2PCS)
-  P8 (2PCS)

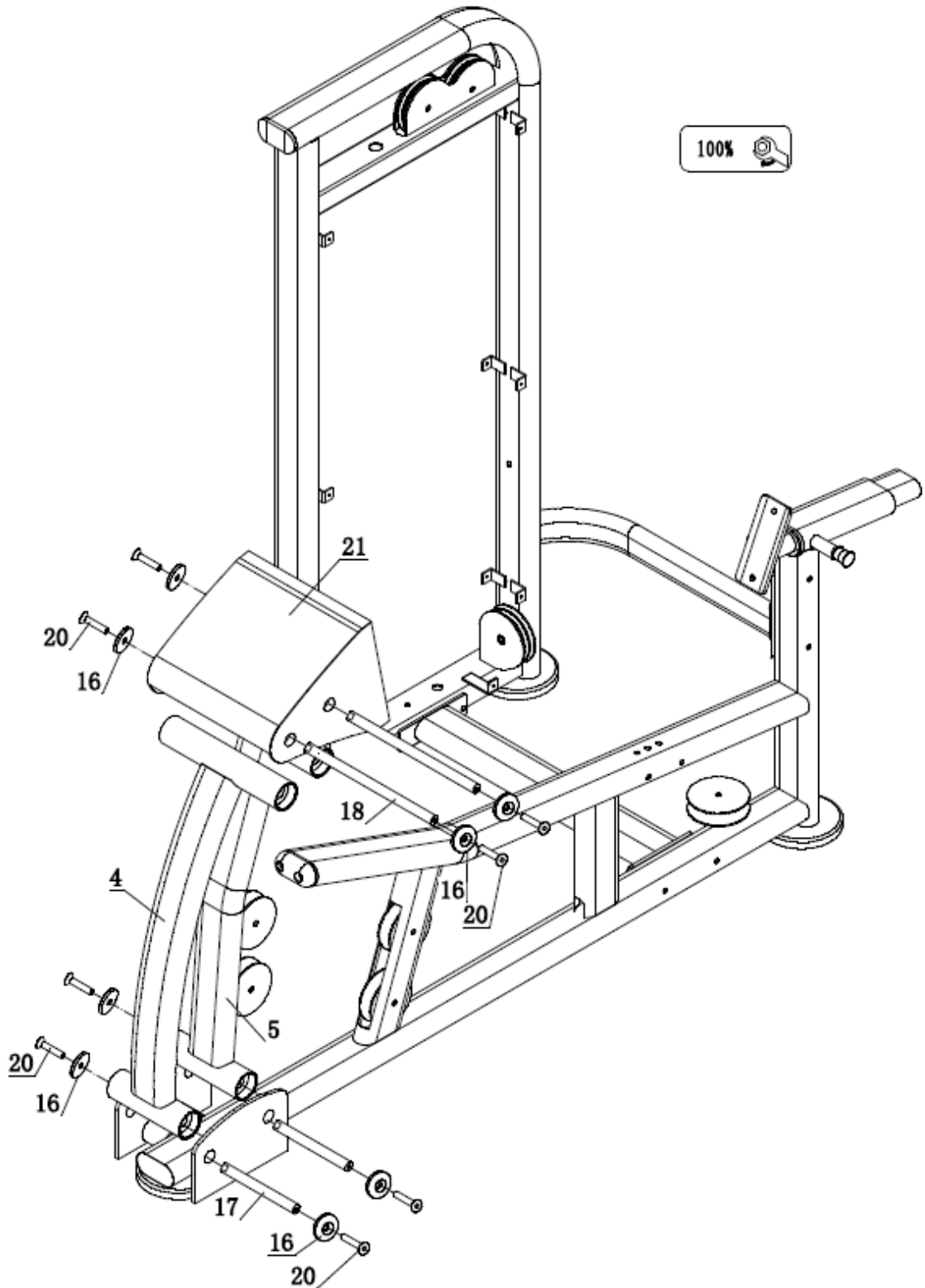


ASSEMBLING INSTRUCTIONS



STEP 1:

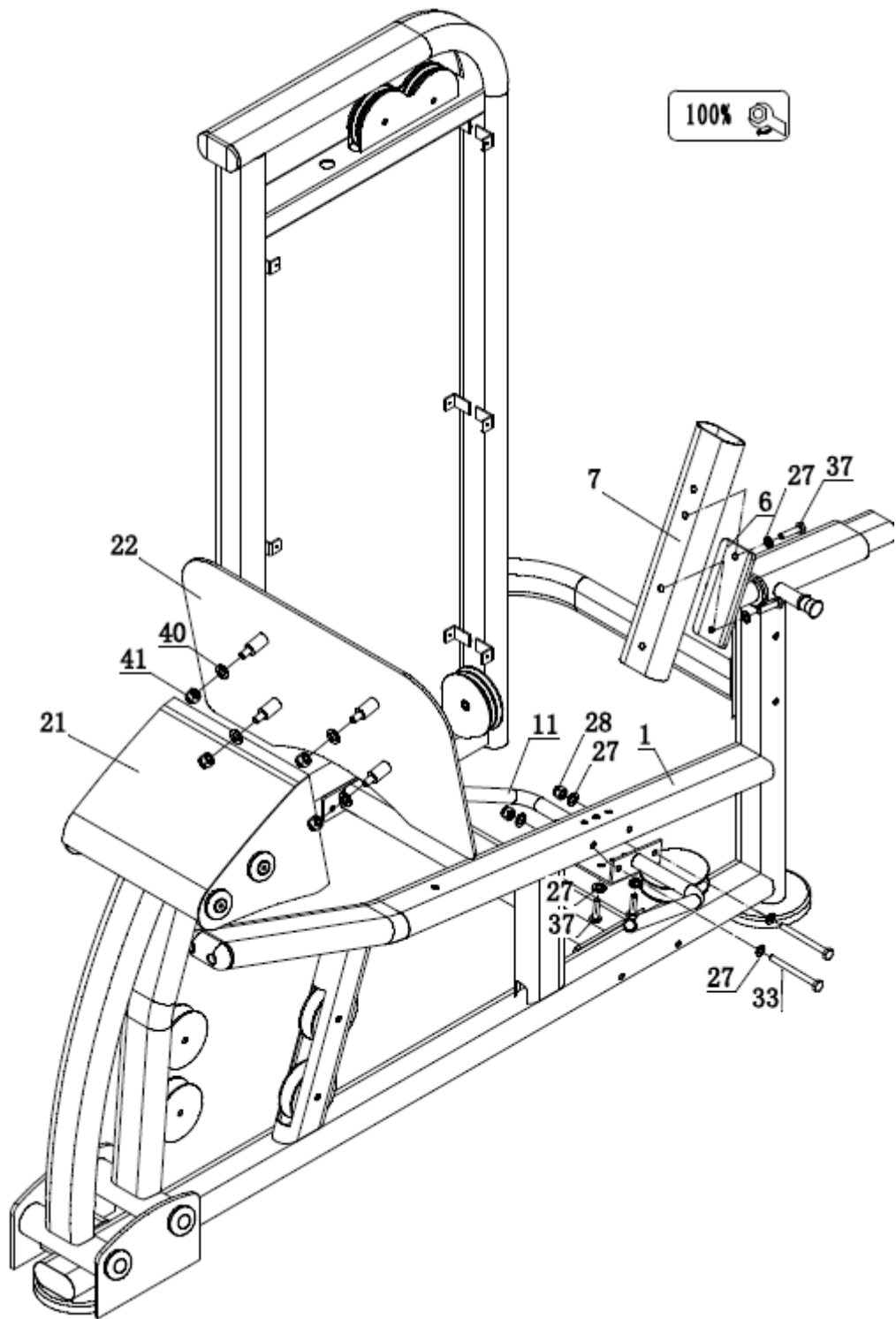
1. Fix Level frame P5 to Weight stack box P1.
2. Fix Bottom strengthen frame 2 to Weight stack box P1 with M10 * 90mm Hex bolt 32, Ø10 Washer 27 and M10 Lock Nut 28.
3. Fix Main frame 1 to Bottom strengthen frame 2 with Ø10 Arc washer 43, M10 Nylon nut 28 and M10*120mm Hex bolt 31.
4. Fix Side strengthen frame 3 to weight stack box P1 with M10 * 70mm Hex bolt 34, Ø10 Washer 27 and M10 Lock Nut 28.
5. Fix Side strengthen frame 3 to Main frame 1 with Ø10 Arc washer 43, M10 Nylon nut 28 and M10*120mm Hex bolt 31.



STEP 2:

1. Fix Rotating frame 4 & 5 to Main frame 1 with M10*30mm Screw 20, Arc aluminum end cover 16 and Down rotating fixed shaft 17.

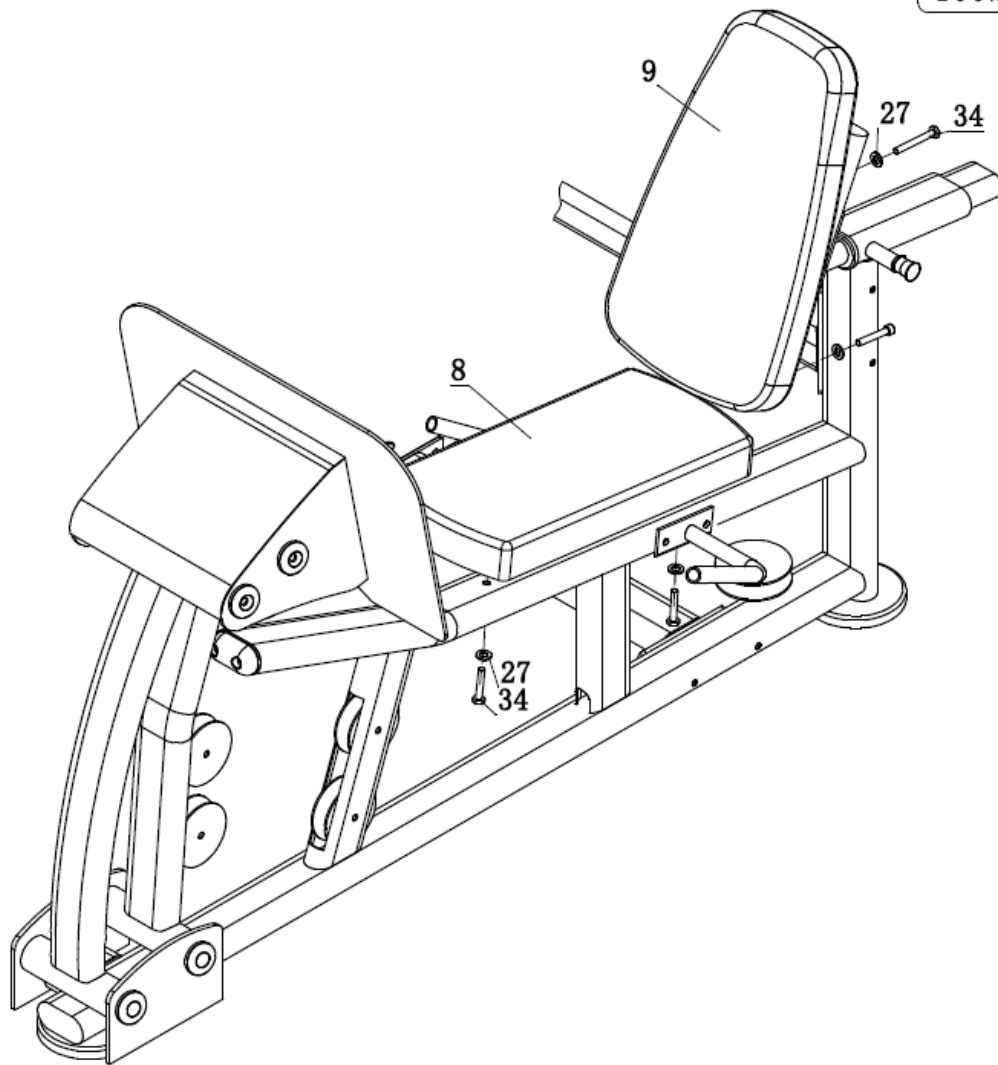
2. Fix Pedal fix frame 21 to Rotating frame 4 & 5 with Arc aluminum end cover 16, Up rotating fixed shaft 18 and M10*30mm Screw 20.



STEP 3:

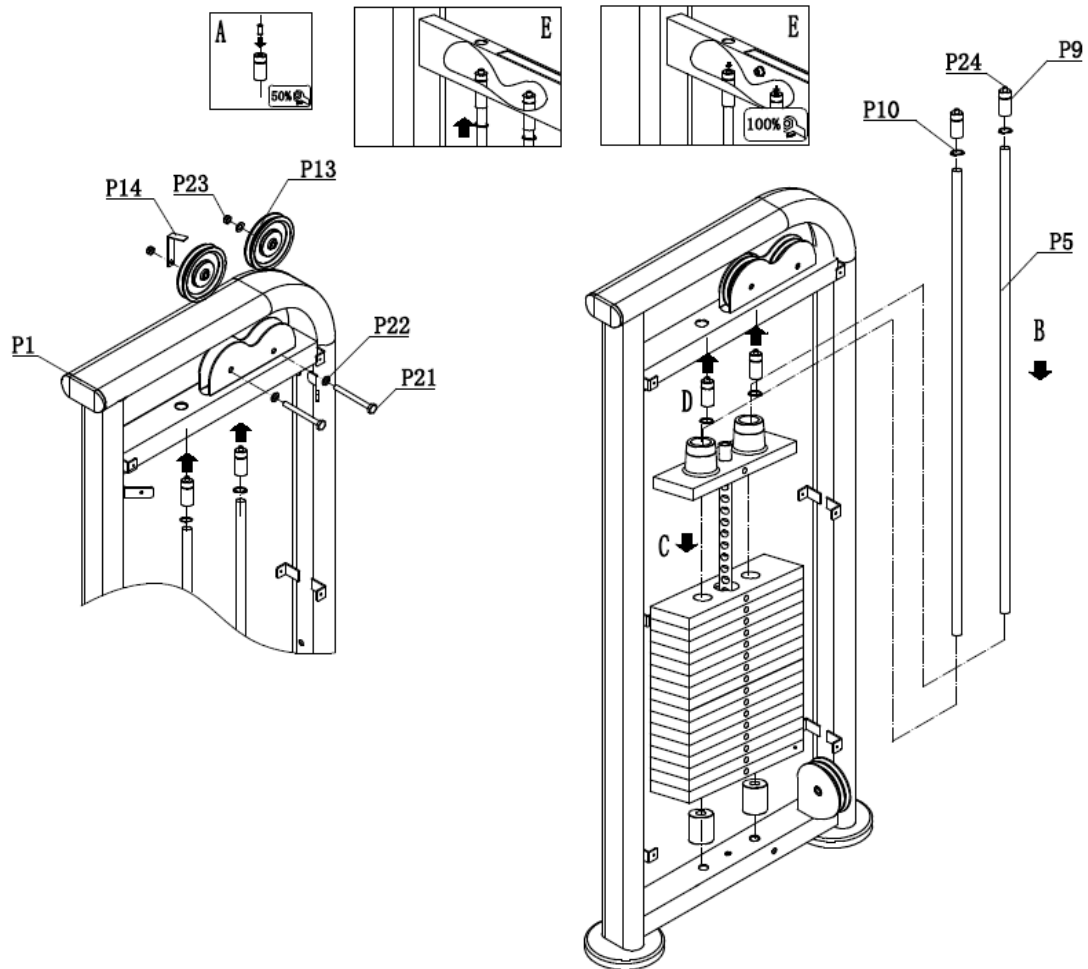
1. Fix Pedal 22 to Pedal fix frame 21 with Φ 12 Washer 40 and M12 Lock Nut 41.
2. Fix Handlebar 11 to Main frame 1 with \O 10 Washer 27, M10 Lock Nut 28 and M10*130mm Hex bolt 33.
3. Fix Back pad fixed tube 7 to Back pad adjust frame 6 with \O 10 Washer 27 and M10*25mm Hex bolt 37.

100%



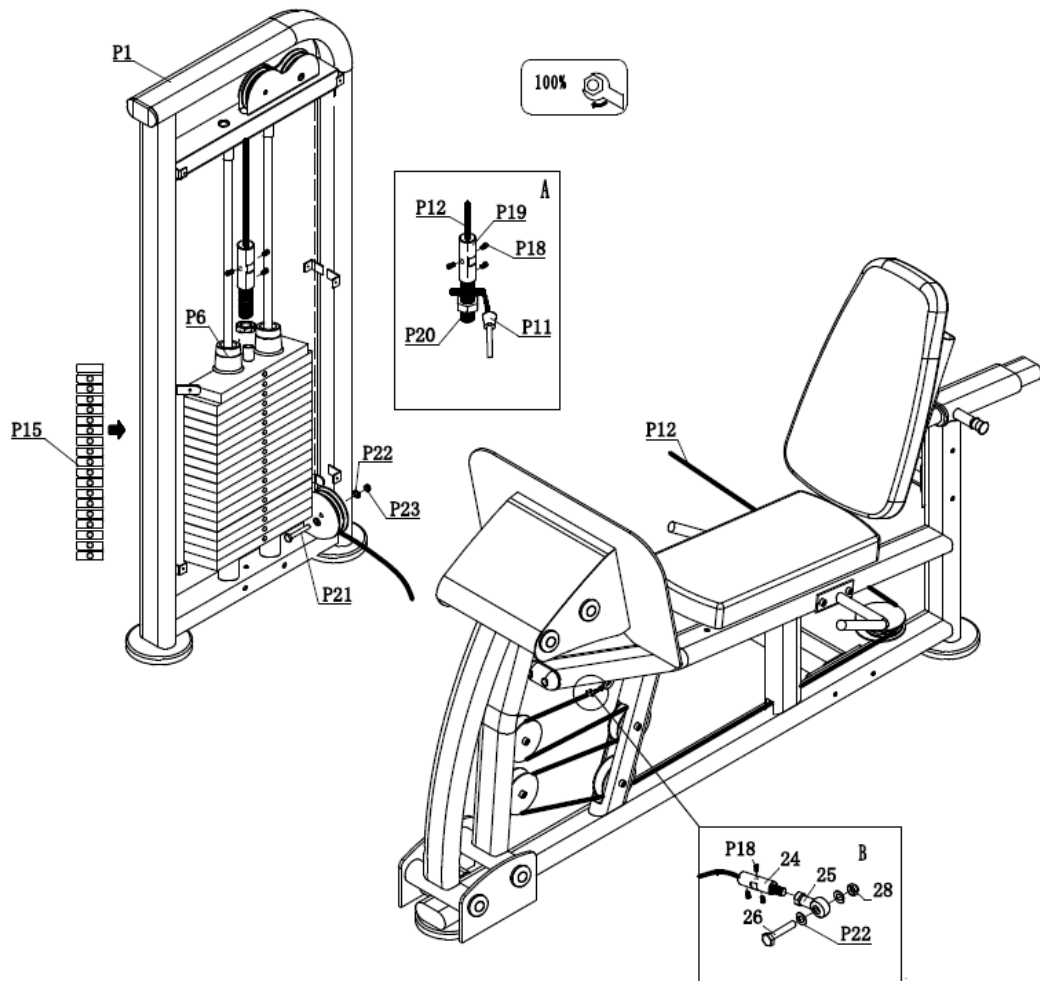
STEP 4:

1. Fix Seat 8 to Main frame 1 with M10 * 70mm Hex bolt 34 and Ø10 Washer 27.
2. Fix Back pad 9 to Back pad fixed tube 7 with M10 * 70mm Hex bolt 34 and Ø10 Washer 27.



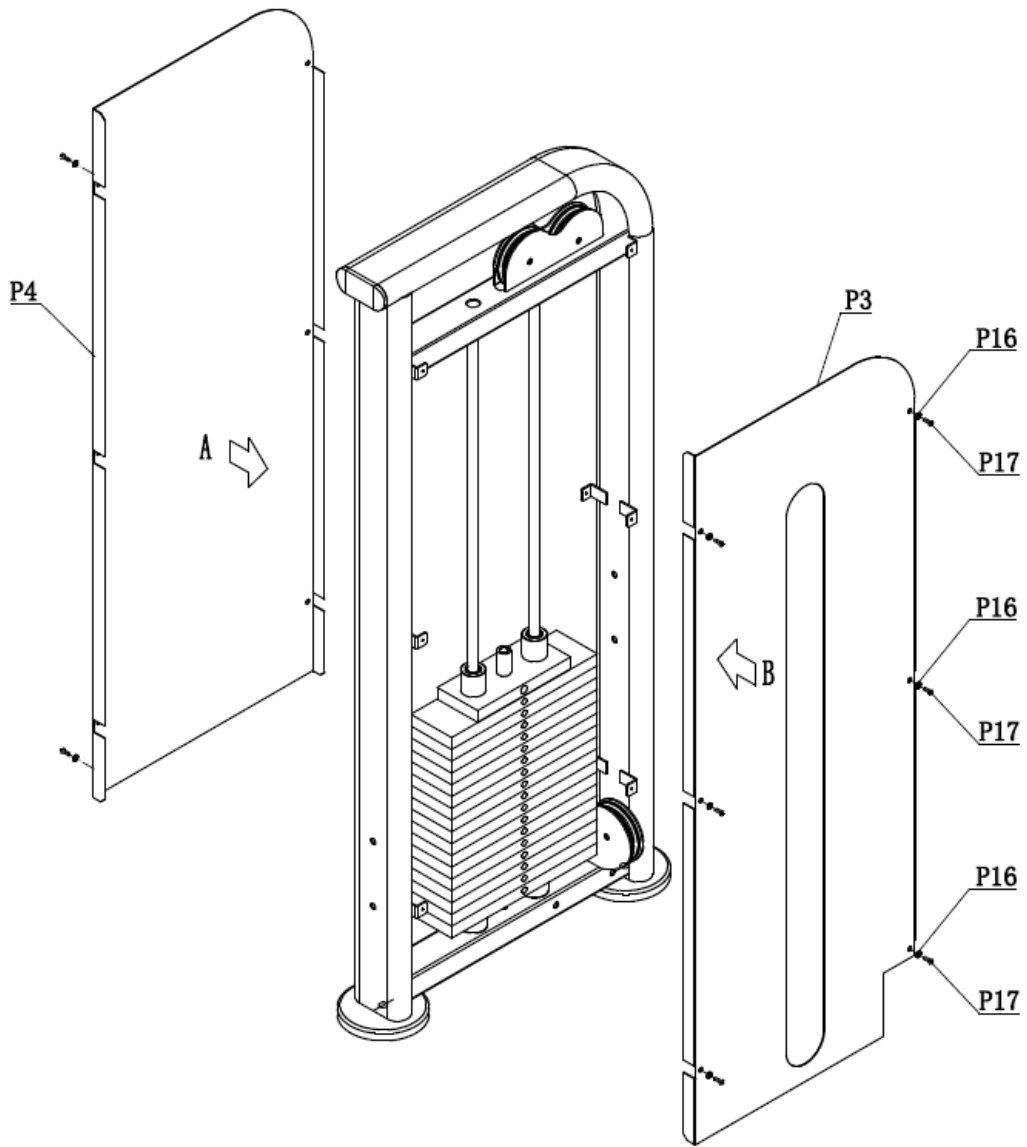
STEP 5:

1. Fix Guide rod P5 to Weight stack box P2.
2. Insert Weight stack P7 to Guide rod P5.
3. Fix Top plate assembly to Guide rod P5.
4. Insert top up side of Guide rod P5 to Weight stack box P2 with Guide rod fix aluminum sleeve P9, Shaft ring P10 and M10 * 20 Fastener bolt P24.
5. Fix Pulley P13 and Rope stop iron P14 to Weight stack box P2 with M10 * 50 bolt P21, Φ 10 Washer P22 and M10 Lock Nut P23.
6. Fix in order A-B-C-D-E



STEP 6:

1. Fix Rope P12 to Top plate assembly P6 with M6*12 bolt P18, Rope fix rod P19, M16 Nut P20 and Strong magnetic latch P11.
2. Fix Pulley P7 to Weight stack box P1 with Φ 10 Washer P22, M10 Nylon Nut P23 and M10 * 50 Hex bolt P21.
3. Fix Rope fix bearing 24 to Joint bearing 25 with M10*40mm Hex bolt 26, Φ 10 Washer P22, M10 Nylon Nut 28.
3. Rope P12 goes as photo shows.



STEP 7:

Fix Front cover P3 and Rear cover P4 to Weight stack box P2 with Flat washer P16 and M5*15 Screw P17.