

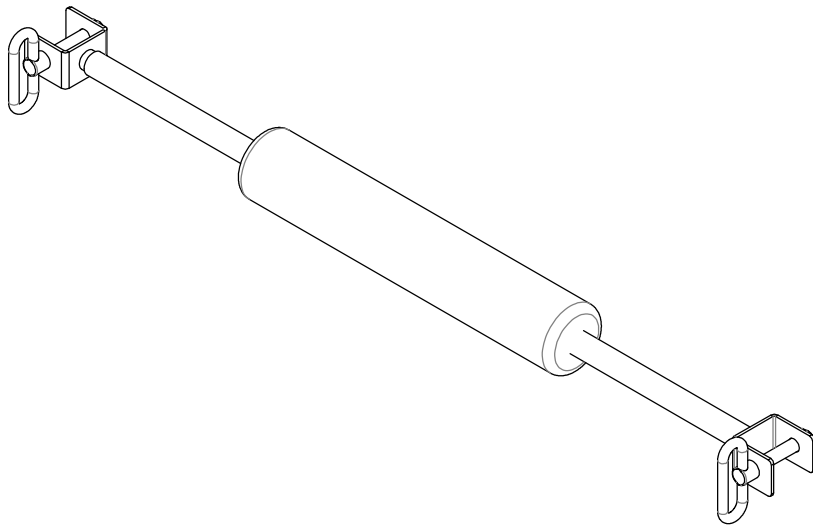


HIT FITNESS

HIT00787

Hit Fitness F200 / Half Rack Lap Bar Attch

Assembly Manual



① $\Phi 16$ pin



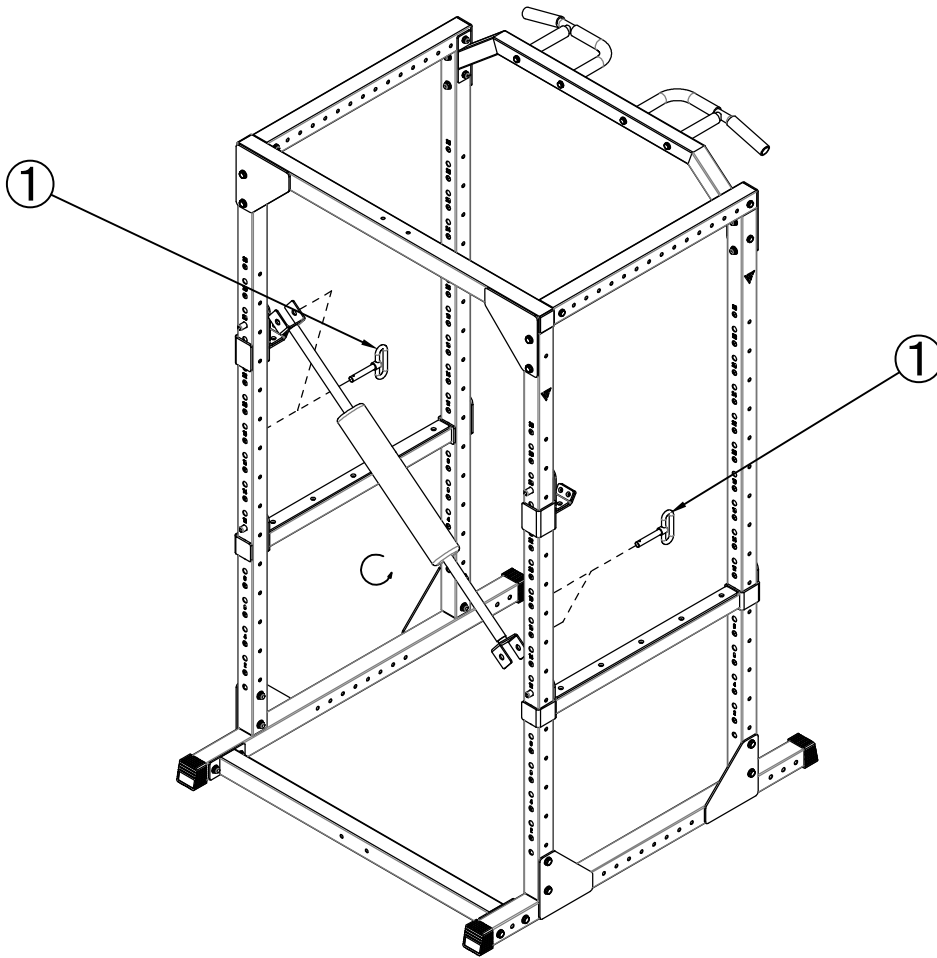
× 2

② $\Phi 4.5$ safety pin



× 2

1



2

