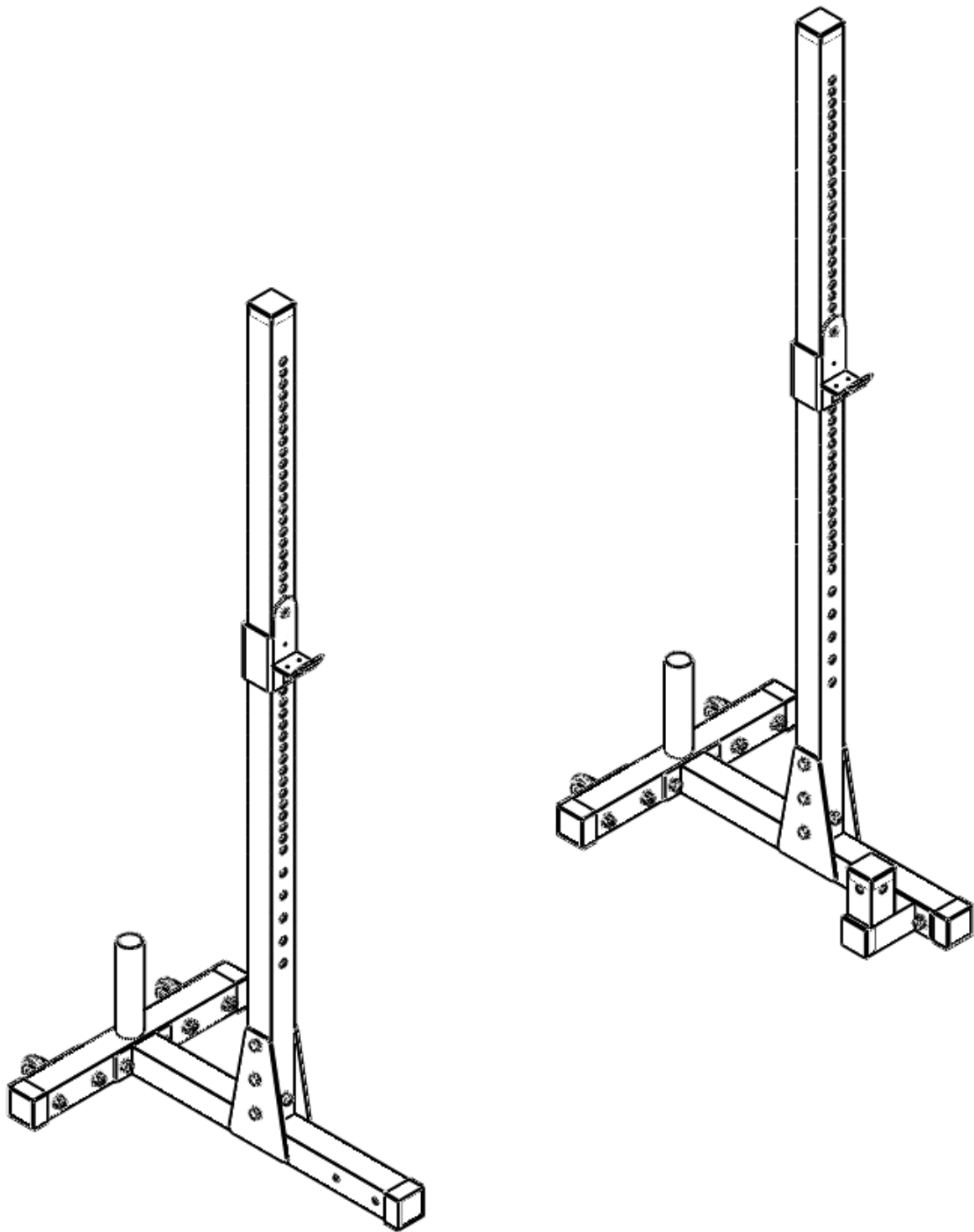


HIT00244

FREE STANDING SQUAT

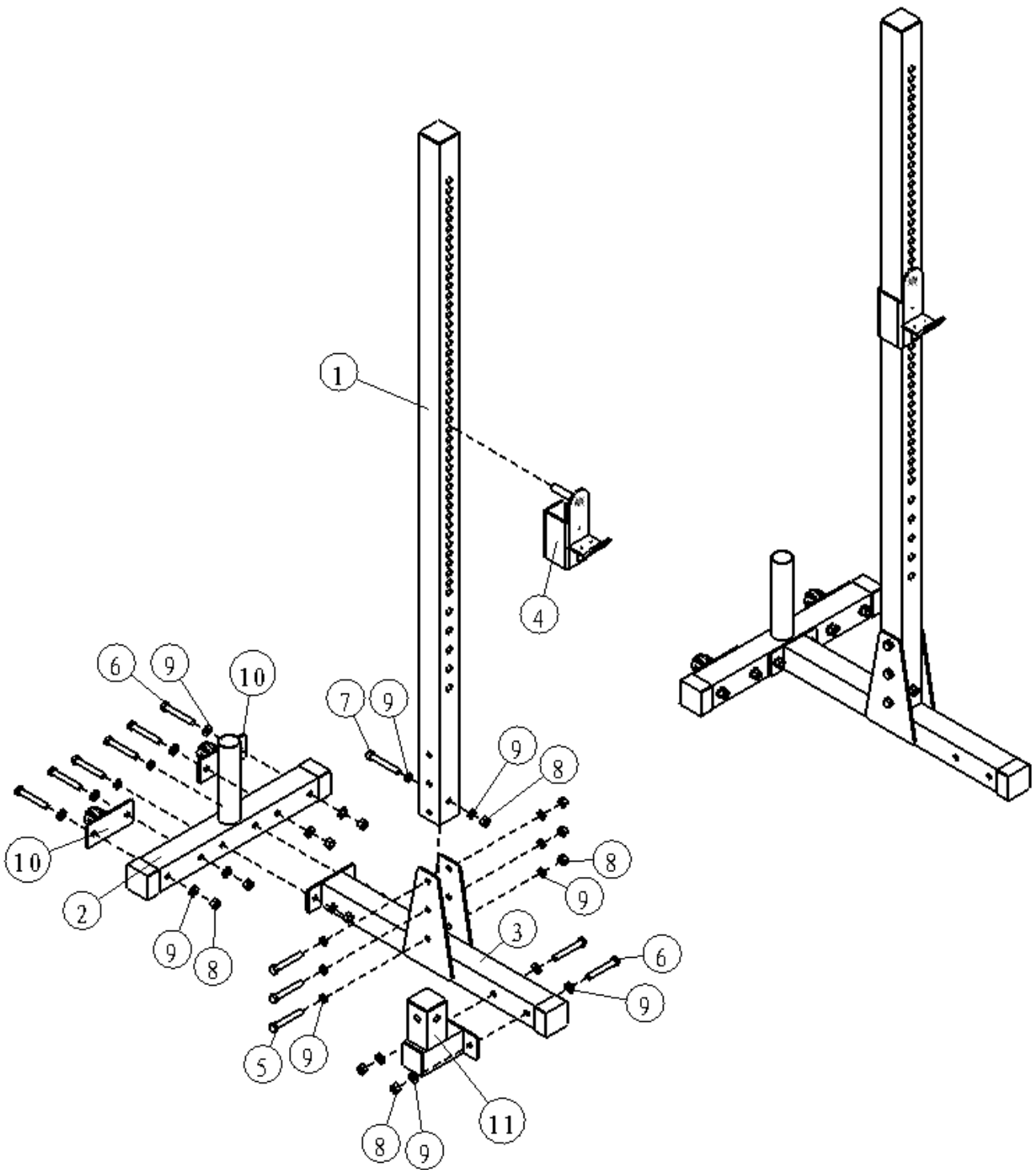
STANDS



OWNER'S MANUAL

PART LIST

PART NO:	DESCRIPTION	Q'TY
1.	VERTICAL FRAME	2
2.	REAR BOTTOM FRAME	2
3.	BOTTOM CONNECTION FRAME	2
4.	J CUP	2
5.	HEX BOLT M12*85	6
6.	HEX BOLT M12*80	14
7.	CARRIAGE BOLT M12*80	2
8.	NYLON NUT M12	22
9.	WASHER Φ 12	44
10.	WHEEL FRAME	4
11.	LANDMINE STAND	1
	ALLEN KEY	1



STEP 1

1. CONNECT (2) AND (10) WITH (6,9,8); CONNECT (2) AND (3) WITH (6,9,8);
2. CONNECT (1) AND (3) WITH (7,9,8) AND (5,9,8);
3. FIX (3) AND (11) WITH (6,9,8);
4. PLACE (4) ONTO (1), AS SHOWN.

NOTE: FASTEN ALL BOLTS BEFORE USING THE SQUAT STANDS.