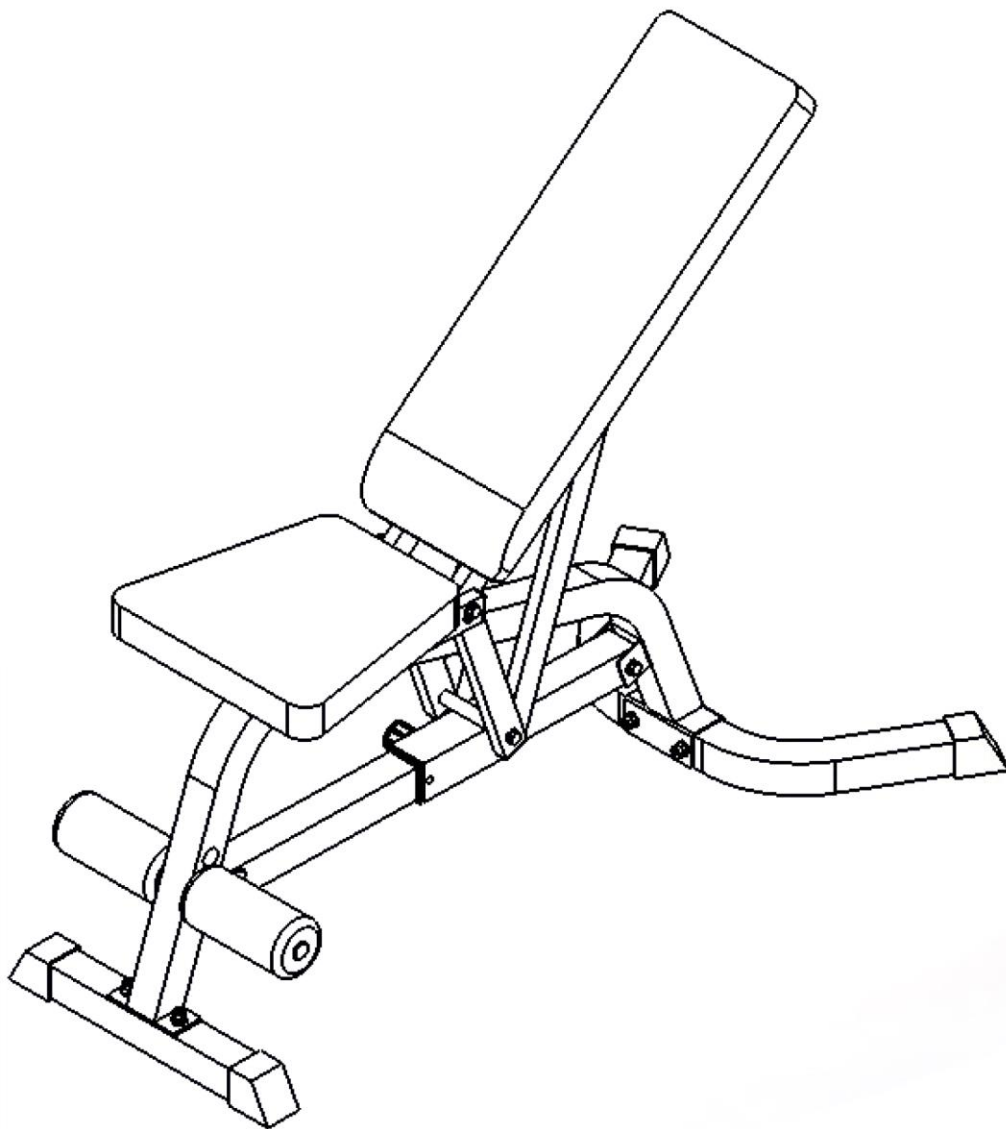


HIT00181
SB42 DELUXE UTILITY
FID WEIGHT BENCH

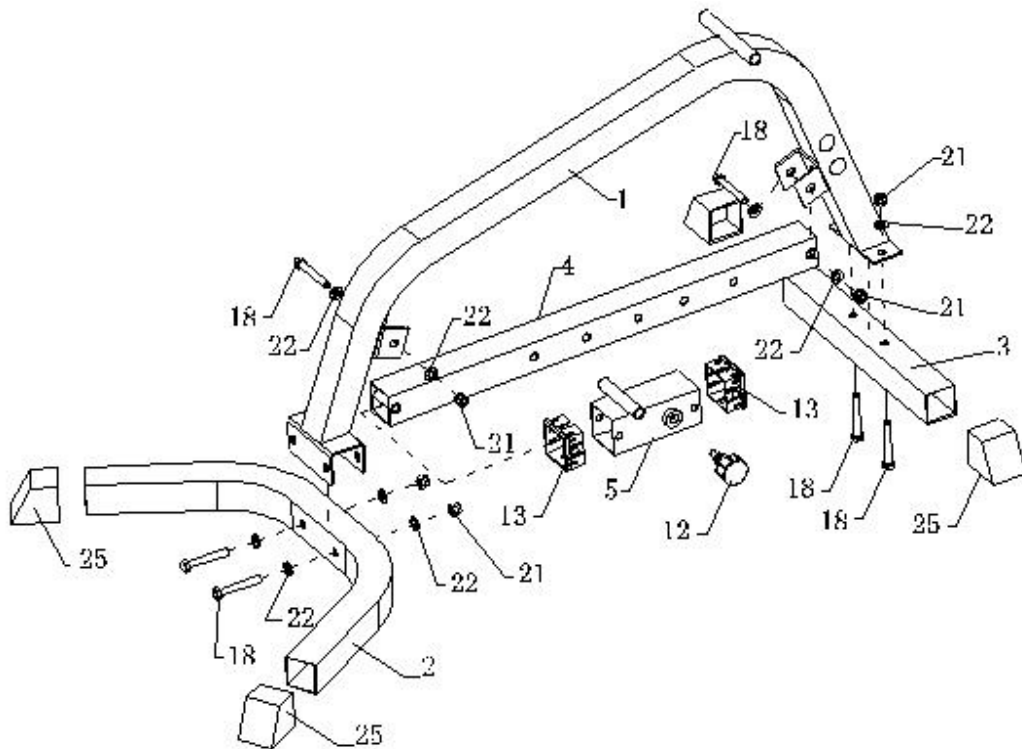


OWNER'S MANUAL

PART LIST

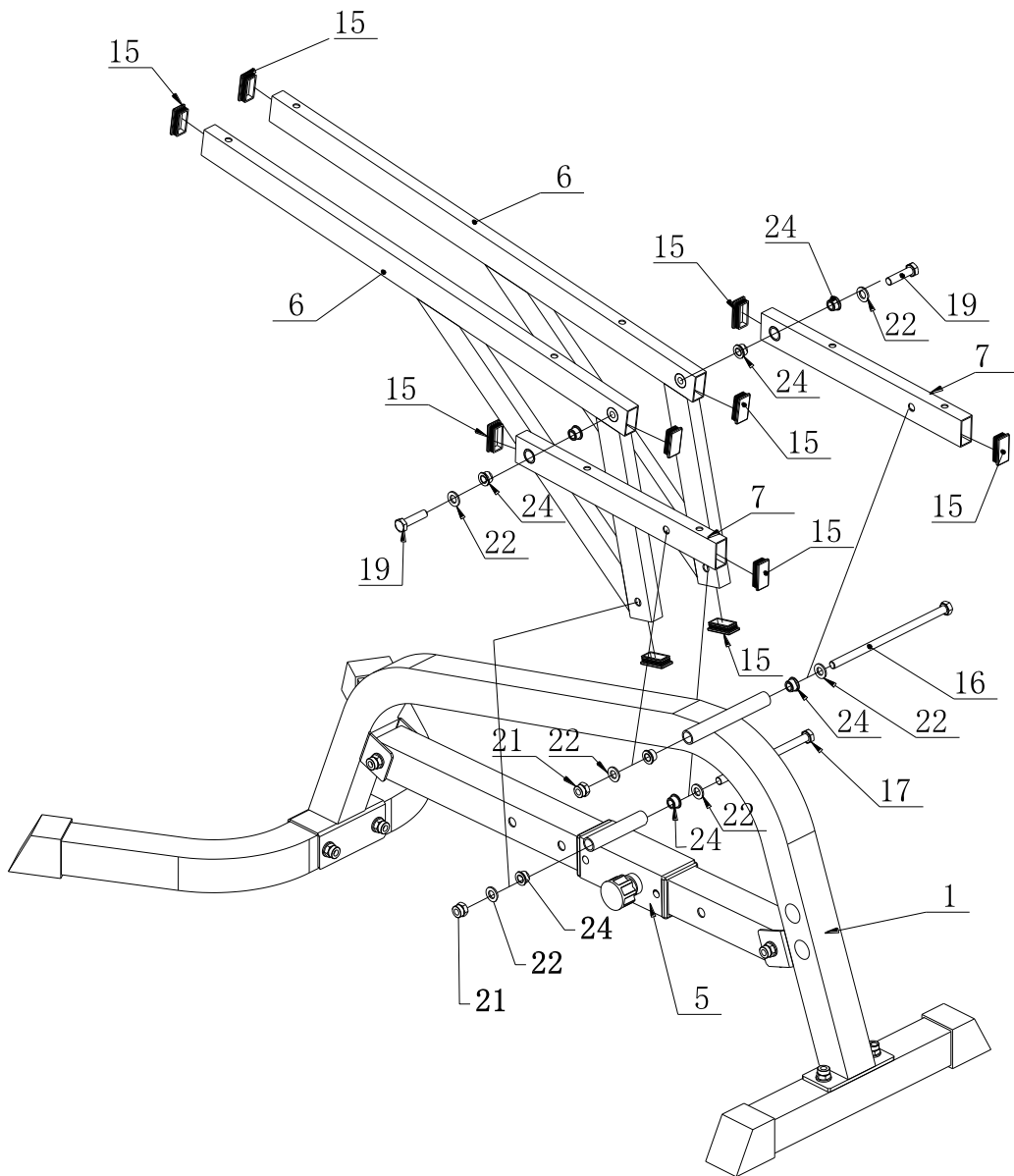
PART NO.	DESCRIPTION	Q'TY
1	MAIN FRAME	1
2	REAR BOTTOM U FRAME	1
3	FRONT BOTTOM FRAME	1
4	ADJUSTABLE TUBE	1
5	SLIDE BLOCK	1
6	BACKREST FIRM TUBE	2
7	SEAT FIRM TUBE	2
8	FOAM TUBE	1
9	SEAT	1
10	BACK PAD	1
11	FOAM	2
12	KNOB	1
13	INNER BUSHING 60X60	2
14	END CAP ϕ 25	2
15	END CAP 20X40MM	10
16	HEX BOLT M10X210	1
17	HEX BOLT M10X160	1
18	HEX BOLT M10X70	6
19	HEX BOLT M10X40	2
20	HEX BOLT M8X60	8

21	NYLON NUT M10	8
22	WASHER $\phi 10$	18
23	WASHER $\phi 8$	8
24	OIL BUSHING $\phi 10$	8
25	FOOT CAP	2



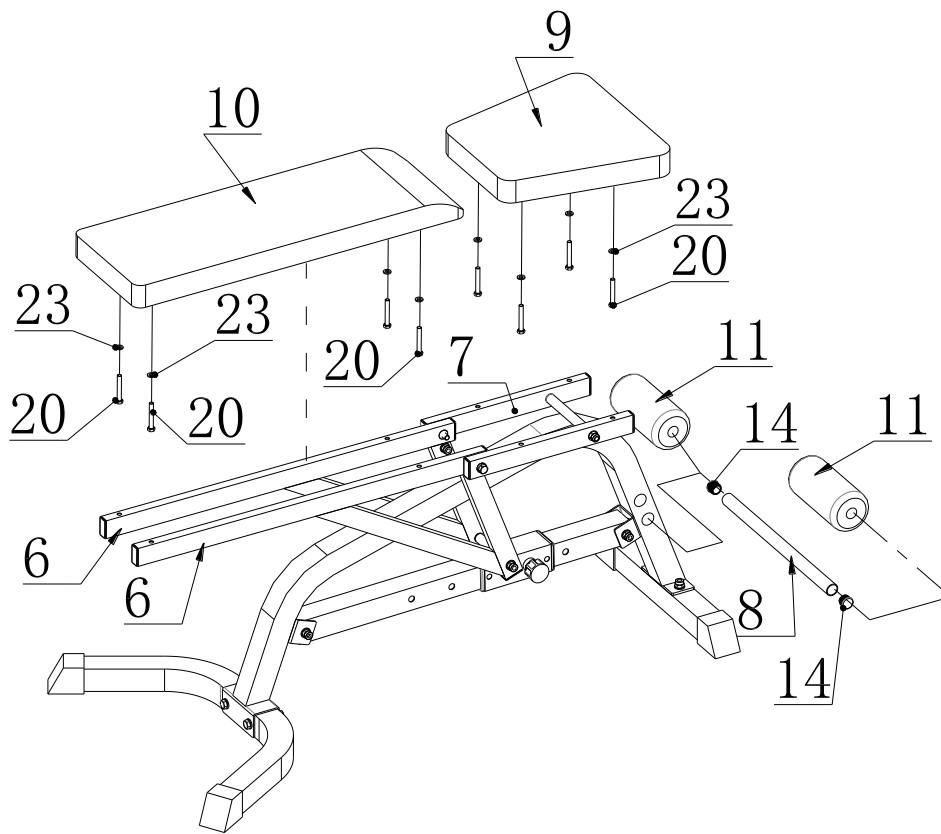
STEP 1

1. PLACE (25) ONTO (2) AND (3); CONNECT (1) AND (2) WITH (18,22,21); CONNECT (1) AND (3) WITH (18,22,21);
2. INSERT (13) INTO (5); SLIDE (5) ONTO (4), SECURED BY (12);
3. CONNECT (4) AND (1) WITH (18,22,21), AS SHOWN;



STEP 2

1. PLACE (15) ONTO (6) AND (7);
2. INSERT (24) INTO (7); CONNECT (7) AND (6) WITH (19,22);
3. INSERT (24) INTO (5); CONNECT (6) AND (5) WITH (17,22,21);
4. INSERT (24) INTO (1); CONNECT (7) AND (1) WITH (16,22,21),
AS SHOWN;



STEP 3

- 1.) PLACE (14) ONTO (8); SLIDE (8) THROUGH (1); PLACE (11) ONTO (8);
- 2.) CONNECT (10) AND (6) WITH (20,23); CONNECT (9) AND (7) WITH (20,23), AS SHOWN.

NOTE: FASTEN ALL BOLTS BEFORE USING THE BENCH.