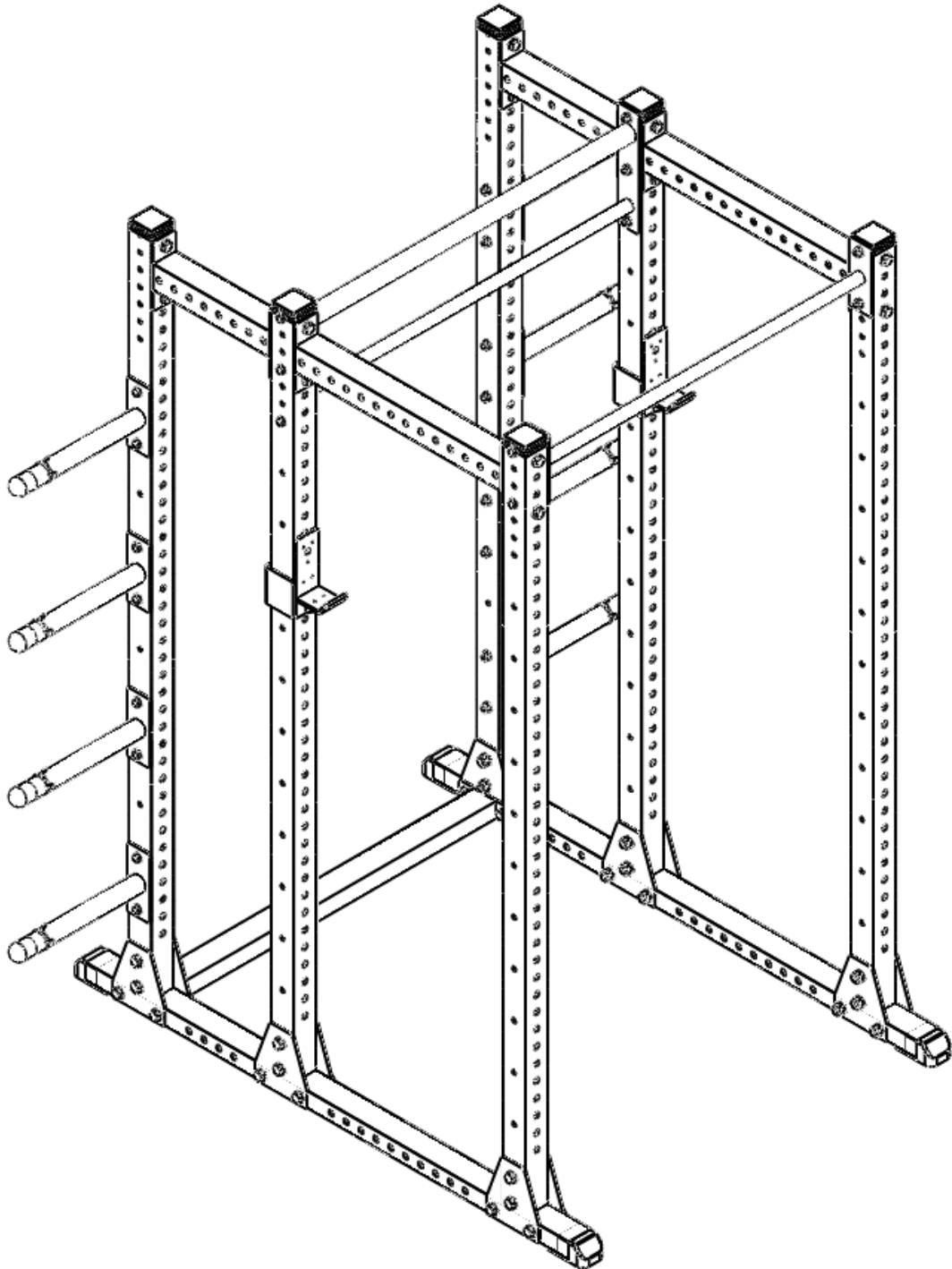


HIT00171

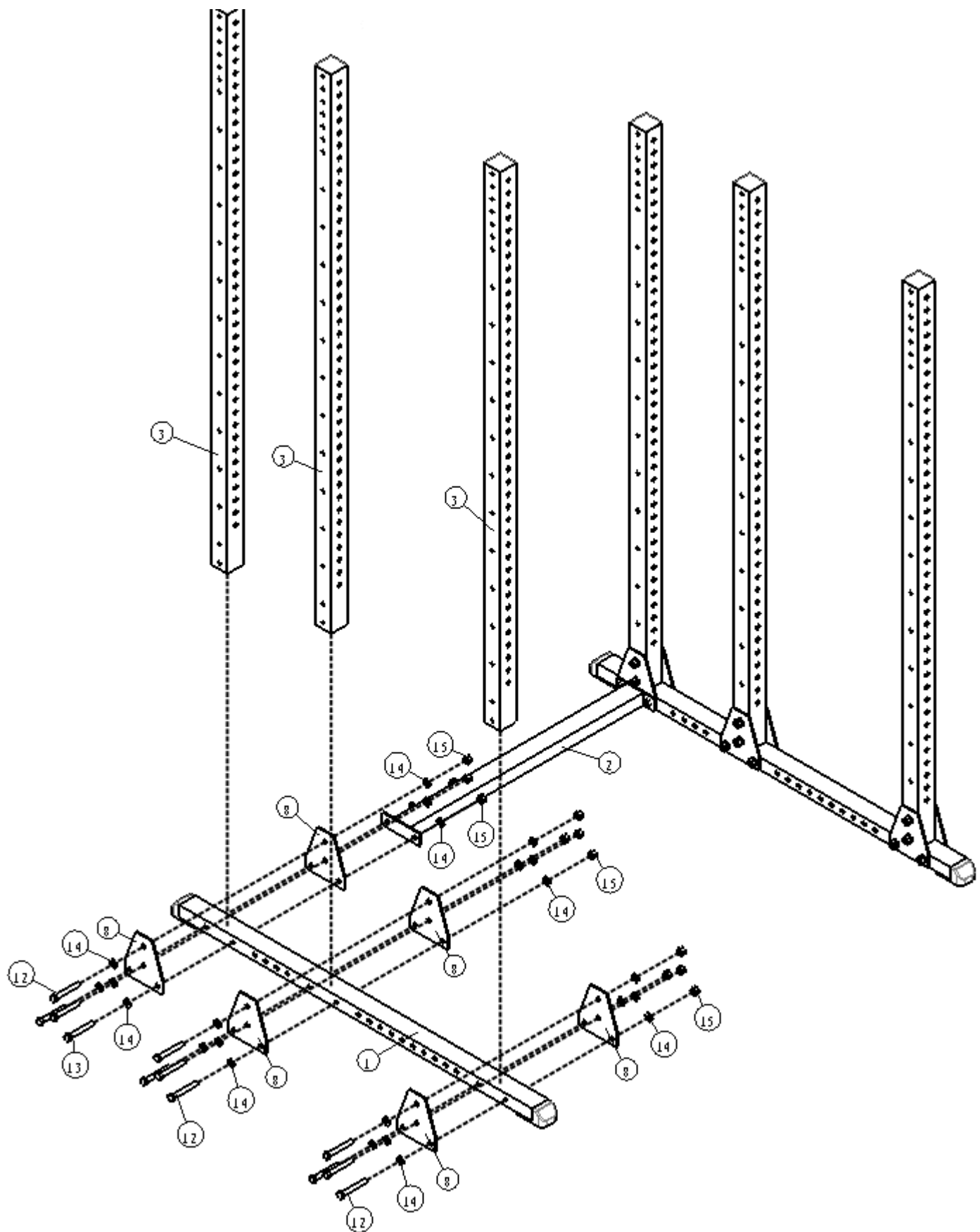
COMMERCIAL RACK WITH PLATE STORAGE



OWNER'S MANUAL

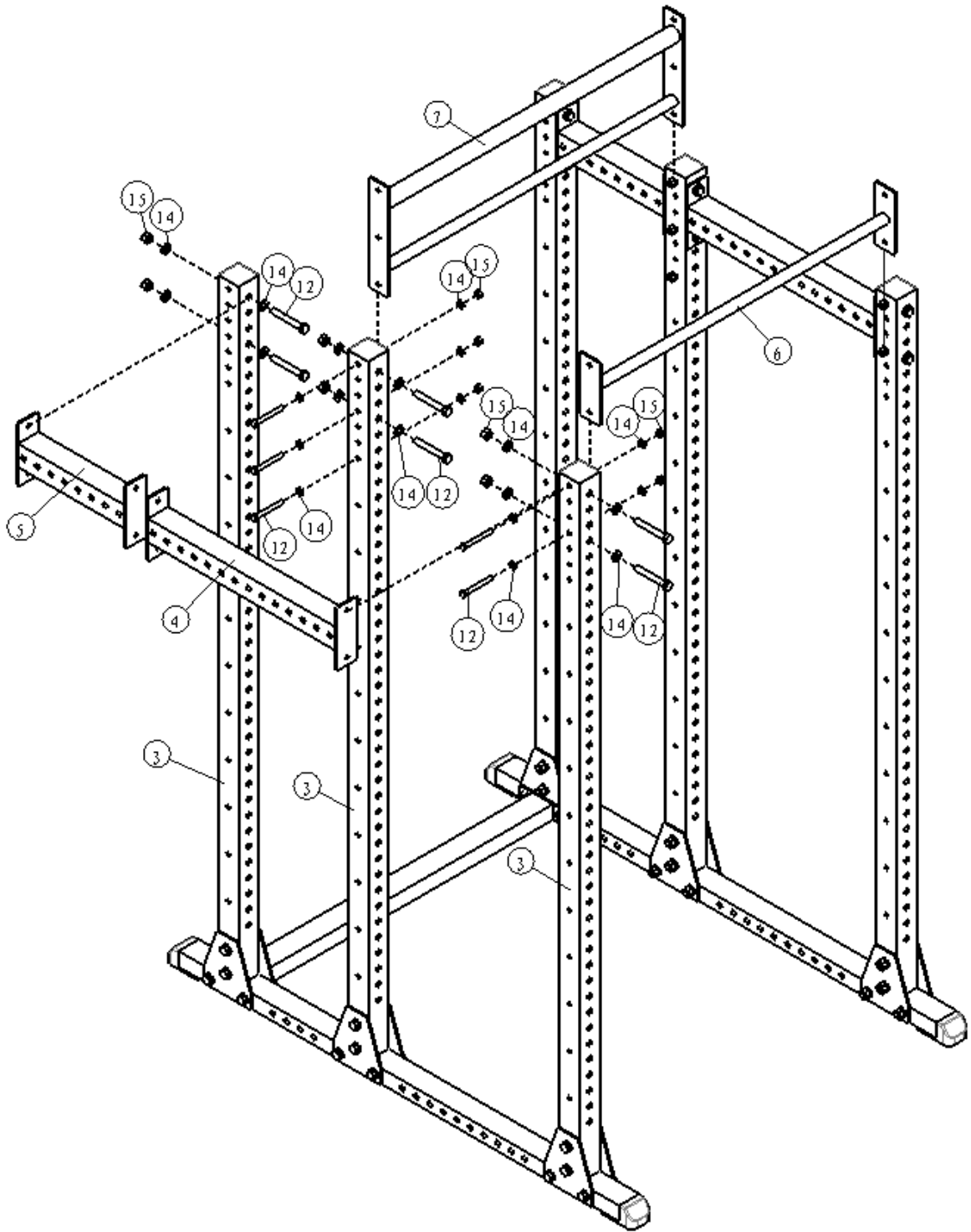
PART LIST

PART NO:	DESCRIPTION	Q'TY
1.	LEFT&RIGHT BOTTOM FRAME	2
2.	REAR BOTTOM FRAME	1
3.	VERTICAL FRAME	6
4.	LEFT&RIGHT TOP FRAME (LONG)	2
5.	LEFT&RIGHT TOP FRAME (SHORT)	2
6.	SINGLE PULL UP BAR	1
7.	DOUBLE PULL UP BAR	1
8.	BRACKET	12
9.	PLATE LOADING FRAME	8
10.	J CUPS	2
11.	SPRING COLLAR Φ 48	8
12.	HEX BOLT M12*100	58
13.	HEX BOLT M10*105	4
14.	WASHER Φ 12	124
15.	NYLON NUT M12	62



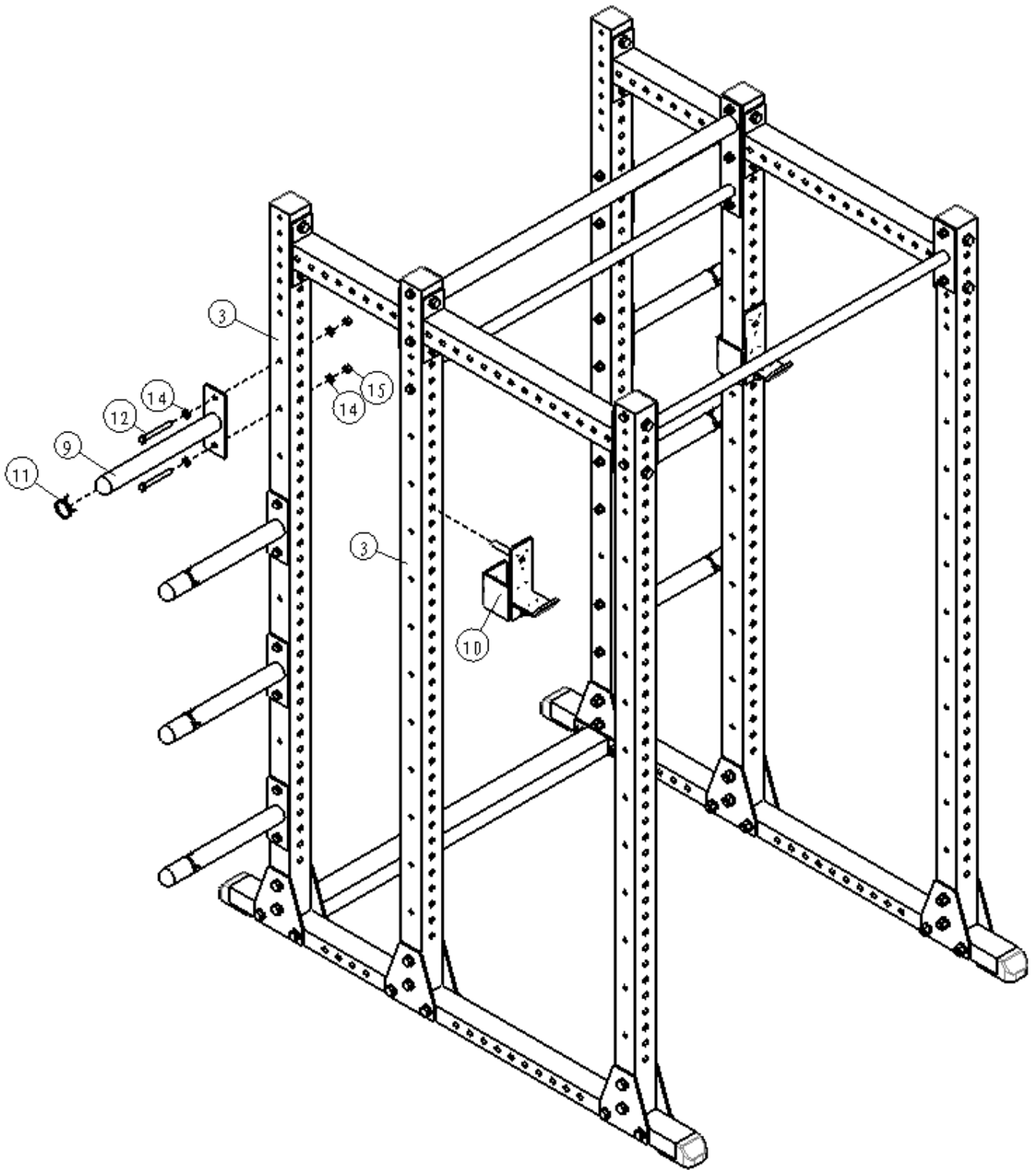
STEP 1

1. CONNECT (1),(8) AND (3) WITH (12,14,15);
2. CONNECT (1),(2) AND (8) WITH (13,14,15), AS SHOWN;



STEP 2

1. CONNECT (3) AND (6) WITH (12,14,15);
2. CONNECT (3) AND (7) WITH (12,14,15);
3. CONNECT (3) AND (4) WITH (12,14,15);
4. CONNECT (3) AND (5) WITH (12,14,15), AS SHOWN;



STEP 3

1. CONNECT (9) AND (3) WITH (12,14,15); PLACE (11) ONTO (9);
2. PLACE (10) ONTO (3), AS SHOWN.

NOTE: FASTEN ALL BOLTS BEFORE USING THE RACK.