

# HIT SPORT

PORTABLE BASKETBALL UNIT

Product code:MSC007



## Table of Contents

POLE CARE AND SYSTEM MAINTENANCE .....	3
GENERAL SAFETY INSTRUCTIONS .....	5
PART LIST.....	6
<b>ASSEMBLY STEPS</b>	
STEP 1 .....	10
STEP2 .....	11
STEP 3 .....	12
STEP 4 . .....	13
STEP 5.....	14
STEP 6.....	15
STEP 7.....	16
STEP 8 .....	17
STEP 9 .....	18
STEP 10.....	19
STEP 11.....	20
STEP 12.....	21
How to move basketball .....	22
How to adjust the height.....	23
WARNING .....	24

## **POLE CARE AND UNIT MAINTENANCE**

The life of your basketball unit depends on many variables. The climate, exposure to corrosives such as salt, pesticides or herbicides, and excessive use or misuse can all contribute to pole failure, which may cause property damage and/or personal injury.

Check your basketball unit frequently for loose hardware, excessive wear, and signs of corrosion. For safety reasons, and to prolong the life of your basketball unit, you must take the following preventative measures.

1. Check all nuts and bolts. If any are loose, tighten them.
2. Check all parts for excessive wear and tear. If necessary, replace any parts that have been worn or damaged through usage. Contact our Customer Service Department for replacement parts.
  
3. Check all pole sections for visible rust or chipped or cracked paint. If present do the following:
  - a) Use an emery cloth to completely remove any rust or chipped paint.
  - b) Clean the area with a damp cloth and allow it to dry.
  - c) Apply two coats of a rust preventative, high gloss enamel paint to the area. Allow the paint to dry between coats.

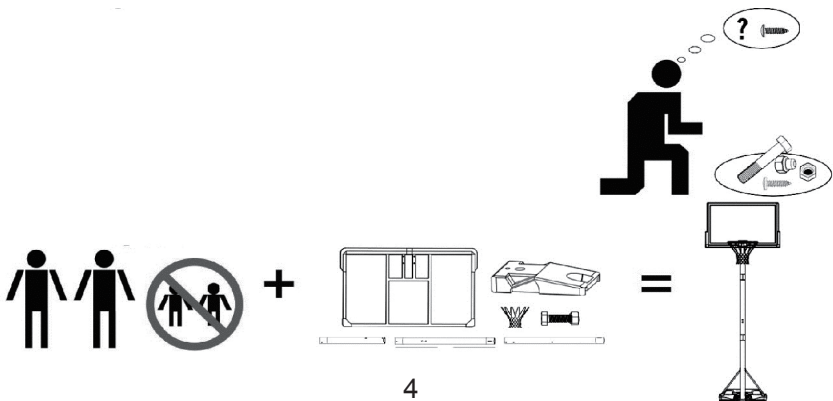
**IF RUST HAS PENETRATED THROUGH THE POLE ANYWHERE, REPLACE IMMEDIATELY!**

## **WARNING!!!**

**NEVER OPERATE THE PORTABLE BASKETBALL UNIT WITHOUT FILLING UP THE MOULDED BASE WITH WATER OR SAND FULLY.**









### GENERAL SAFETY INSTRUCTIONS

- \* Do not hang from the rim or climb on the pole.
- \* Do not climb on the base or structure in general as this could result in serious personal injuries.
- \* Adjustments and moving of the basketball unit must be carried out by adults.
- \* Always check the unit to ensure that the moulded base is full of water or sand, and all fittings and hardware are tight before each use.
- \* Always place the base on a flat surface.
- \* Do not let water freeze in the base.
- \* Two people are required for assembly.
- \* Keep the manual for future reference



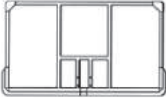


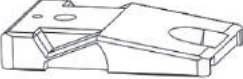


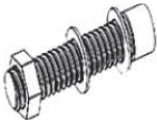

## Part List

Part #, Description, Picture, Quantity

<p>1</p>  <p>Bottom Pole</p> <p><math>\Phi 75 \times 1090 \text{mm}</math></p> <p>QTY:1</p>	<p>2</p>  <p>Middle Pole</p> <p><math>\Phi 75 \times 1090 \text{mm}</math></p> <p>QTY:1</p>
<p>3</p>  <p>Top Pole</p> <p><math>\Phi 75 \times 835 \text{mm}</math></p> <p>QTY:1</p>	<p>4</p>  <p>Bottom Pole Brace</p> <p><math>\Phi 19 \times 975 \text{mm}</math></p> <p>QTY:2</p>
<p>5</p>  <p>Lower handle bar</p> <p><math>28 \times 28 \times 900 \text{mm}</math></p> <p>QTY:1</p>	<p>6</p>  <p>Upper handle bar</p> <p><math>32 \times 32 \times 960 \text{mm}</math></p> <p>QTY:1</p>
<p>7</p>  <p>Short backboard connecting tube</p> <p><math>\Phi 30 \times 495 \text{mm}</math></p> <p>QTY:2</p>	<p>8</p>  <p>Long backboard connecting tube</p> <p><math>\Phi 30 \times 695 \text{mm}</math></p> <p>QTY:2</p>



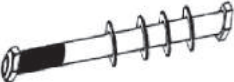





## Part List

Part #, Description, Picture, Quantity

<p>9</p>  <p>Backboard</p> <p>QTY:1</p>	<p>10</p>  <p>Rim</p> <p>Φ16*450mm</p> <p>QTY:1</p>
<p>11</p>  <p>Net</p> <p>QTY:1</p>	<p>12</p>  <p>Base</p> <p>QTY:1</p>
<p>13</p>  <p>Backboard Connecting Plate</p> <p>QTY:2</p>	<p>14</p>  <p>Bolt, Washer and Screw Set</p> <p>M8*45mm</p> <p>QTY:1</p>
<p>15</p>  <p>Bolt, Washer and Screw Set</p> <p>M10*40mm</p> <p>QTY:4</p>	<p>16</p>  <p>Bolt, Washer and Screw Set</p> <p>M8*25mm</p> <p>QTY:2</p>

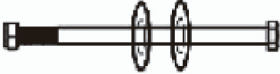





## Part List

Part #, Description, Picture, Quantity






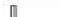
<p>17 26 27</p>  <p>Bolt, Washer and Screw Set</p> <p>M8*90mm QTY:2</p>	<p>17</p>  <p>Bolt, Washer and Screw Set</p> <p>M8*90mm QTY:3</p>
<p>18</p>  <p>Bolt, Screw</p> <p>M12*160mm QTY:2</p>	<p>19</p>  <p>Base Pole Axle</p> <p><math>\Phi</math>10*210mm QTY:1</p>
<p>20</p>  <p>Middle pole mounting plate</p> <p>QTY:1</p>	<p>21</p>  <p>wheel</p> <p><math>\Phi</math>95*70mm QTY:2</p>
<p>22</p>  <p>Wheel axle</p> <p><math>\Phi</math>12*145mm QTY:2</p>	<p>23</p>  <p>Tube washer short size</p> <p><math>\Phi</math>13*<math>\Phi</math>16*20mm QTY:2</p>

## Part List

Part #, Description, Picture, Quantity

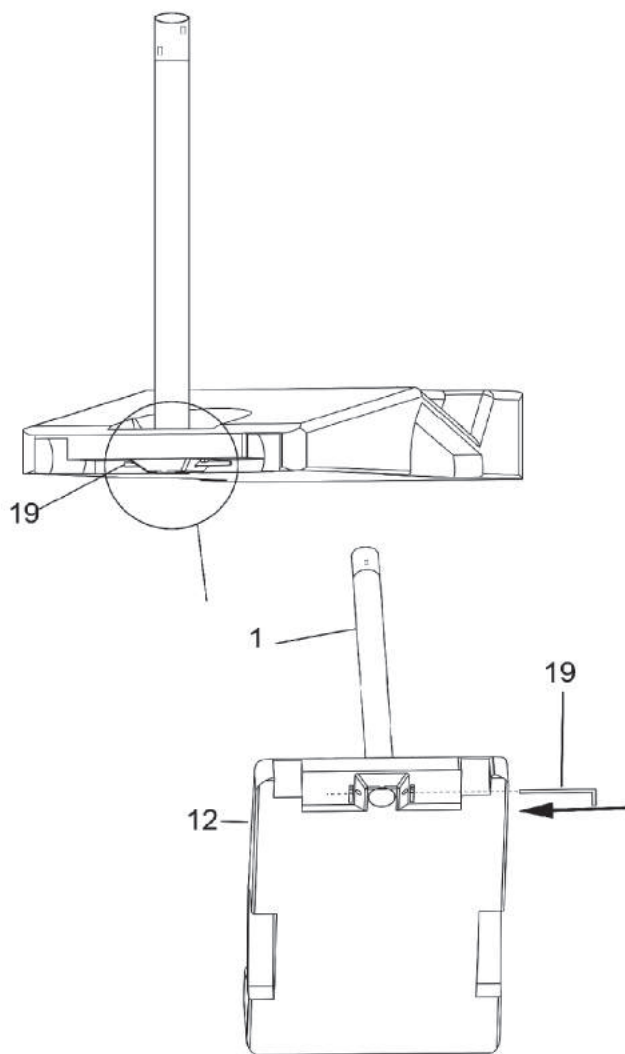
<p>24</p>  <p>Bolt, Screw</p> <p>M12*160mm QTY:1</p>	<p>25</p>  <p>Bolt, Washer and Screw Set</p> <p>M8*85mm QTY:4</p>
<p>28</p>  <p>Short Spring</p> <p>Φ12*Φ16*18mm QTY:2</p>	<p>29</p>  <p>Bolt, Washer and Screw Set</p> <p>M8*60mm QTY:2</p>
<p>30</p>  <p>Pole Cover</p> <p>1380*345mm QTY:1</p>	<p>32</p>  <p>Bolt, Screw</p> <p>M 12*55mm QTY:4</p>

### Tools Kit, Outils Kit

a	10*13mm wrench 10*13mm clé		1pc	Include intégrer	d	M12 wrench M12 clé		1pc	Include intégrer
b	14*17mm wrench 14*17mm clé		1pc	Include intégrer	e	M8 wrench M8 clé		1pc	Include intégrer
c	17*19mm wrench 17*19mm clé		1pc	Include intégrer	f	M10wrench M10 clé		1pc	Include intégrer

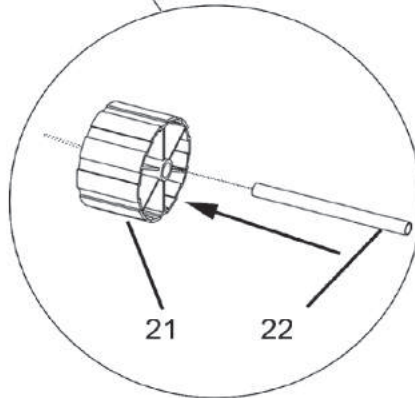
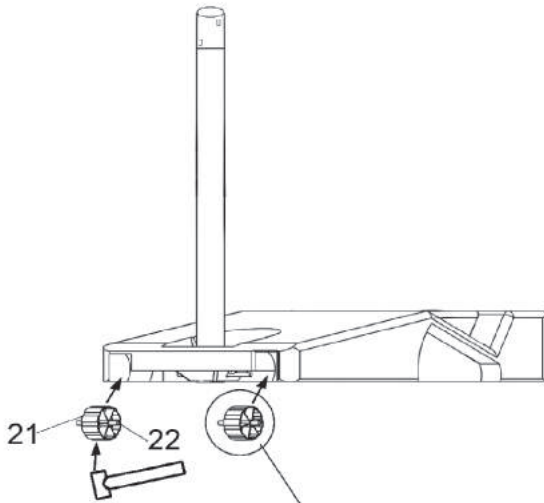


# Step 1



## Step 2



TOOLS NOT INCLUDED (HAMMER)




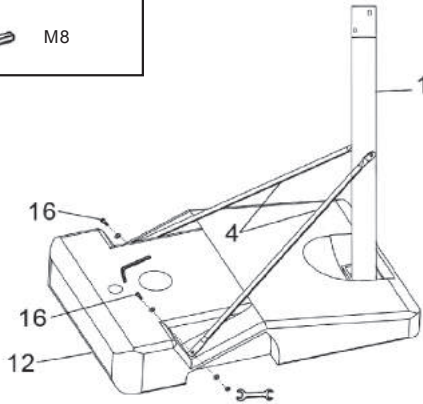
DETAIL

### Step 3



#### A


TOOLS NEEDED	
	14x17mm
	M8

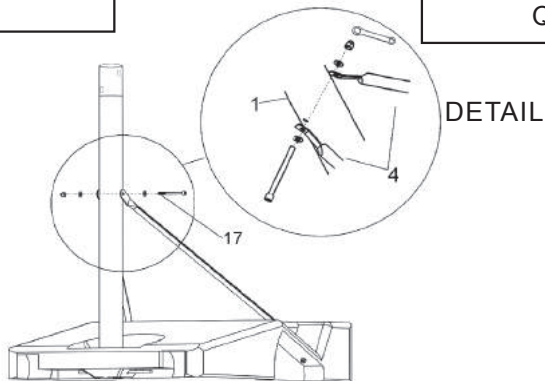
PART NEEDED	
	16
	M8*25mm
	QTY:2



#### B

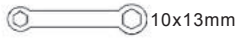
TOOLS NEEDED	
	10x13mm
	M8

PART NEEDED	
	17
	M8*90mm
	QTY:1



## Step 4

### TOOLS NEEDED

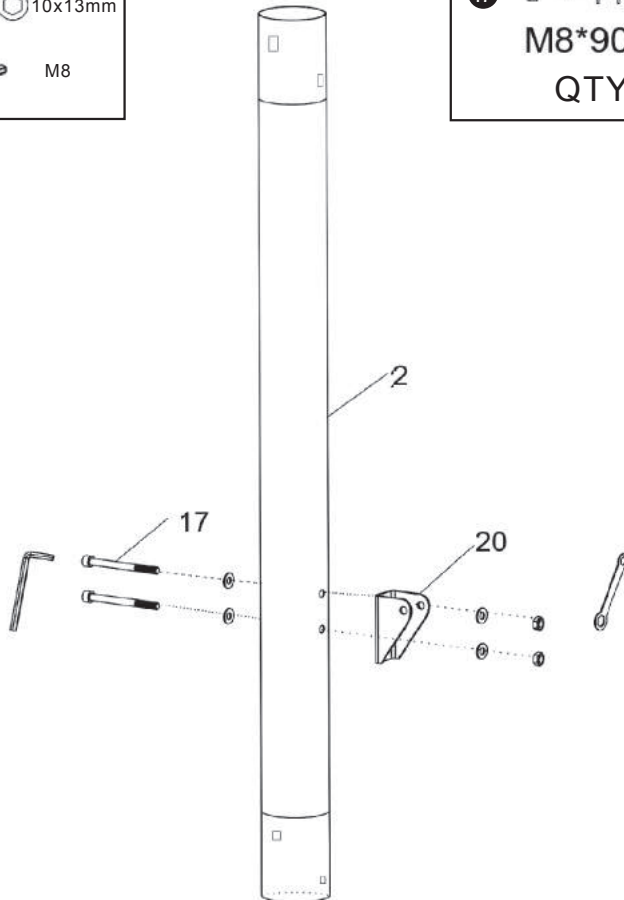


### PART NEEDED



M8\*90mm

QTY:2



## Step 5

### TOOLS NEEDED

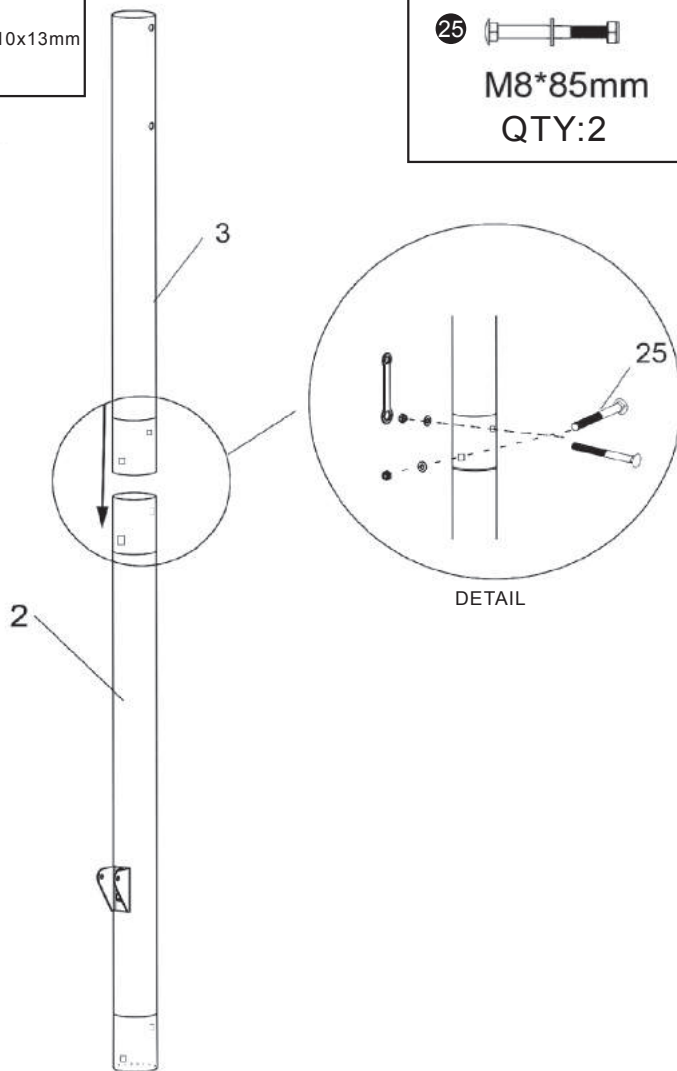


### PART NEEDED



M8\*85mm

QTY:2



## Step 6

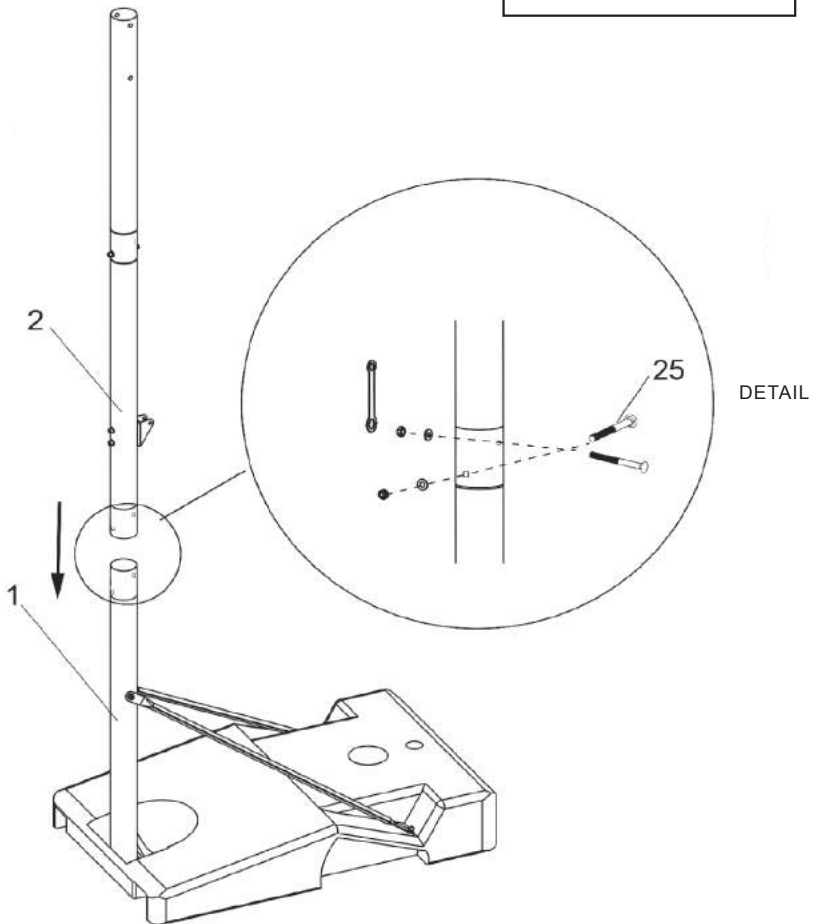
### TOOLS NEEDED



### PART NEEDED



**M8\*85mm**  
**QTY:2**



# Step 7

## TOOLS NEEDED




10x13mm

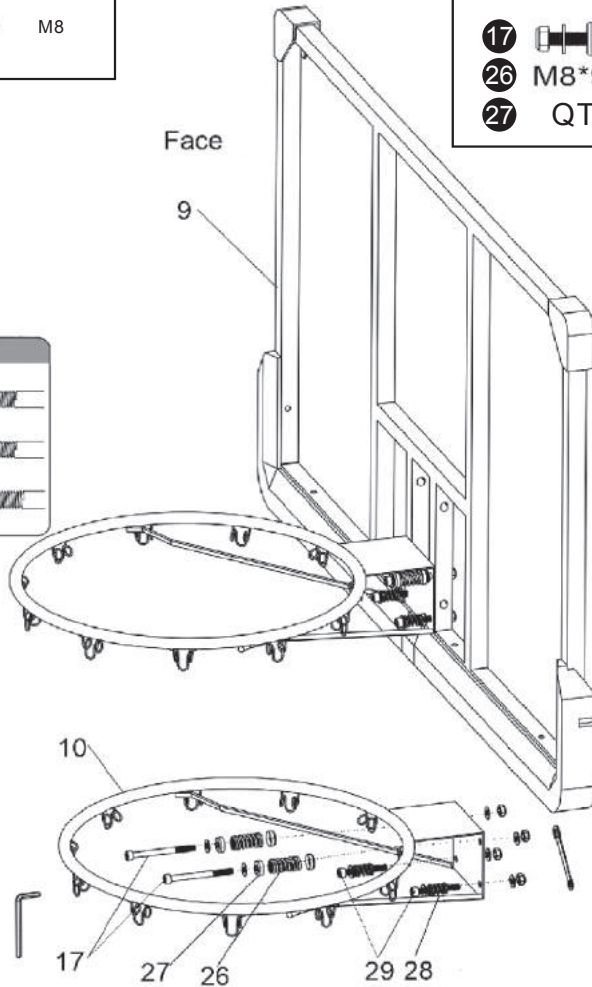
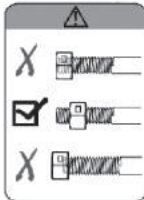


M8

## PART NEEDED

29   
M8\*60mm  
QTY:2

17   
26 M8\*90mm  
27 QTY:2



## Step 8

### TOOLS NEEDED



M10mm



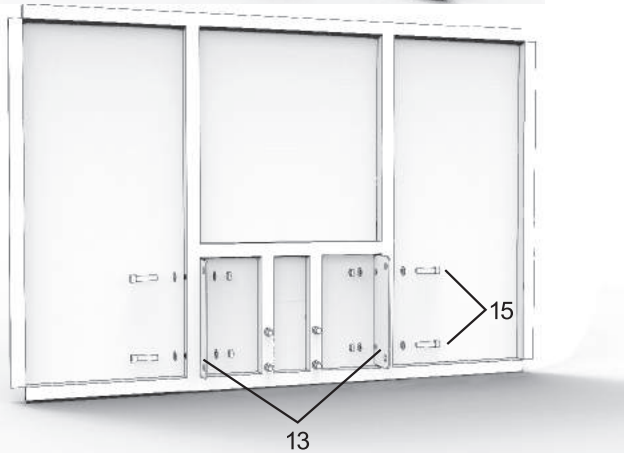
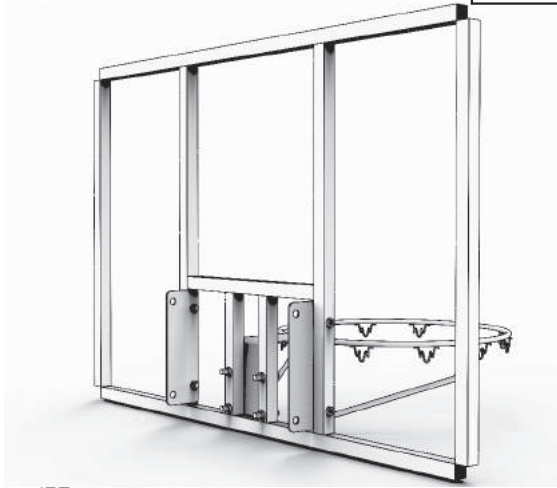
14x17

### PART NEEDED



M10\*40mm

QTY:4

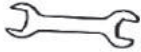


16



## Step 9

### TOOLS NEEDED



14x17mm



17x19mm

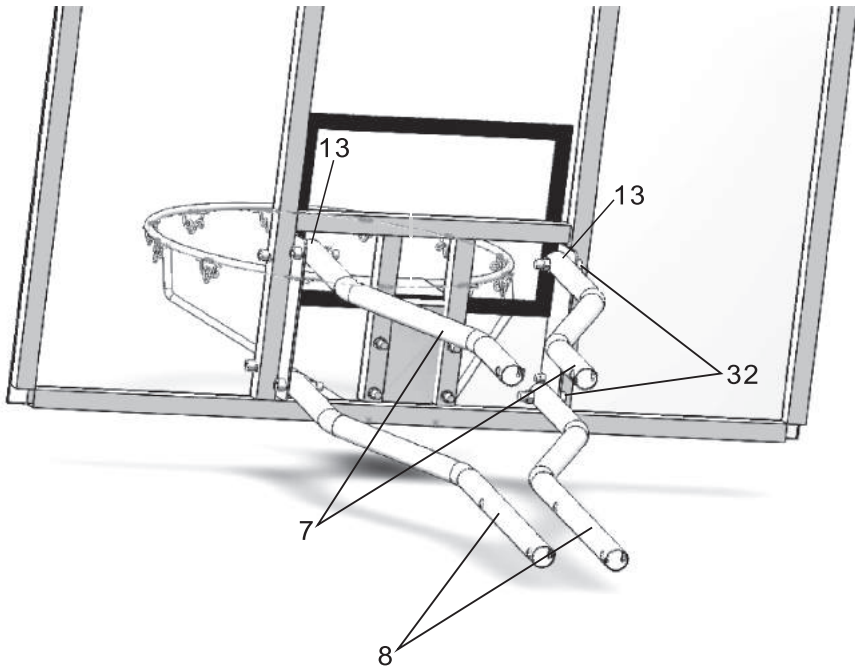
### PART NEEDED

32



M12\*55mm

QTY:4

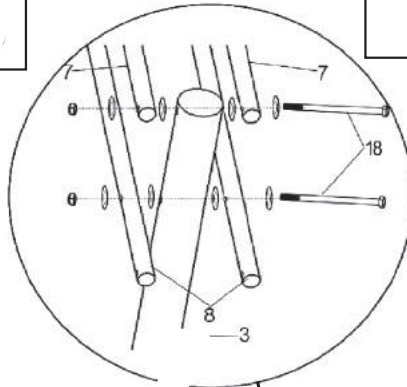


## Step 10

### TOOLS NEEDED



### PART NEEDED



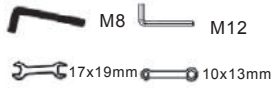
DETAIL





Please do not tighten the screws before completing all installation.

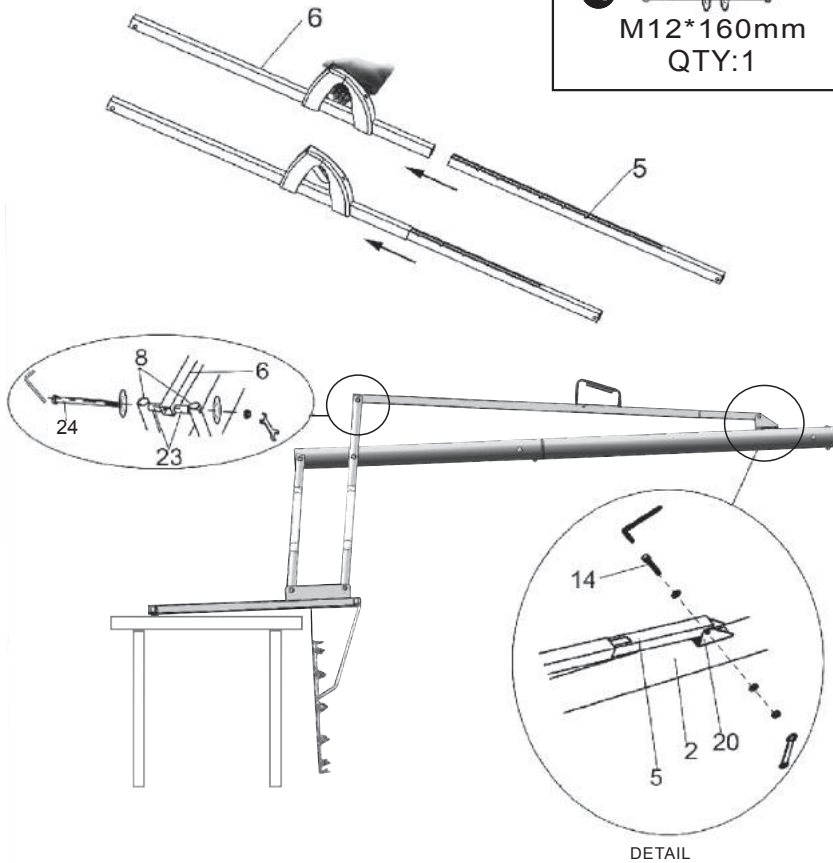
# Step 11

## TOOLS NEEDED

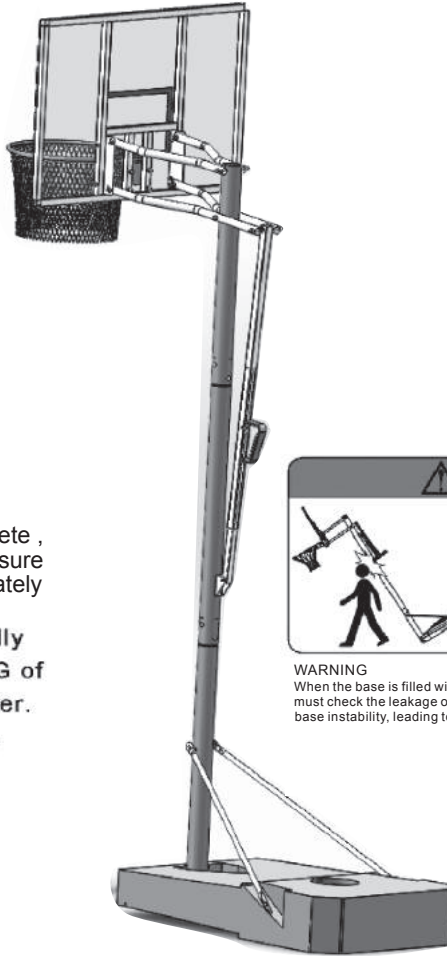


## PART NEEDED

- 14   
M8\*45mm  
QTY:1
- 18   
M12\*160mm  
QTY:1



## Step 12

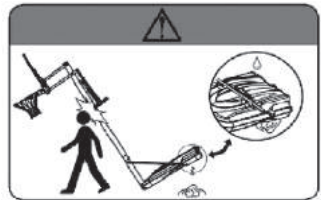


### WARNING

\*Once installation is complete , check th e entire unit to ensure all parts have been adequately tightened.

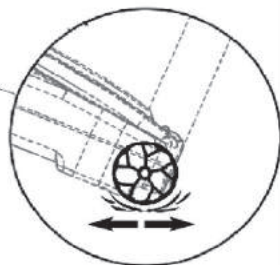
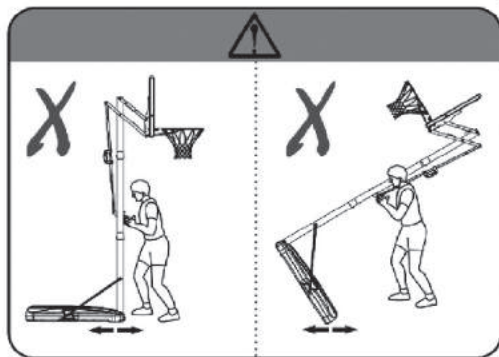
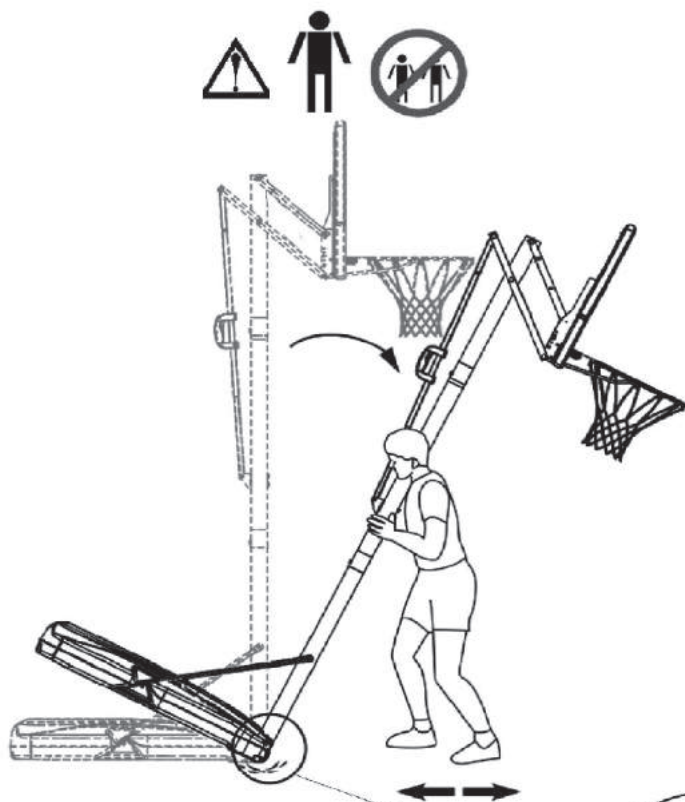
\*Ensure the base is fully filled with either 115KG of Sand or 105KG of Water.

\*Wrap pole cover #30.

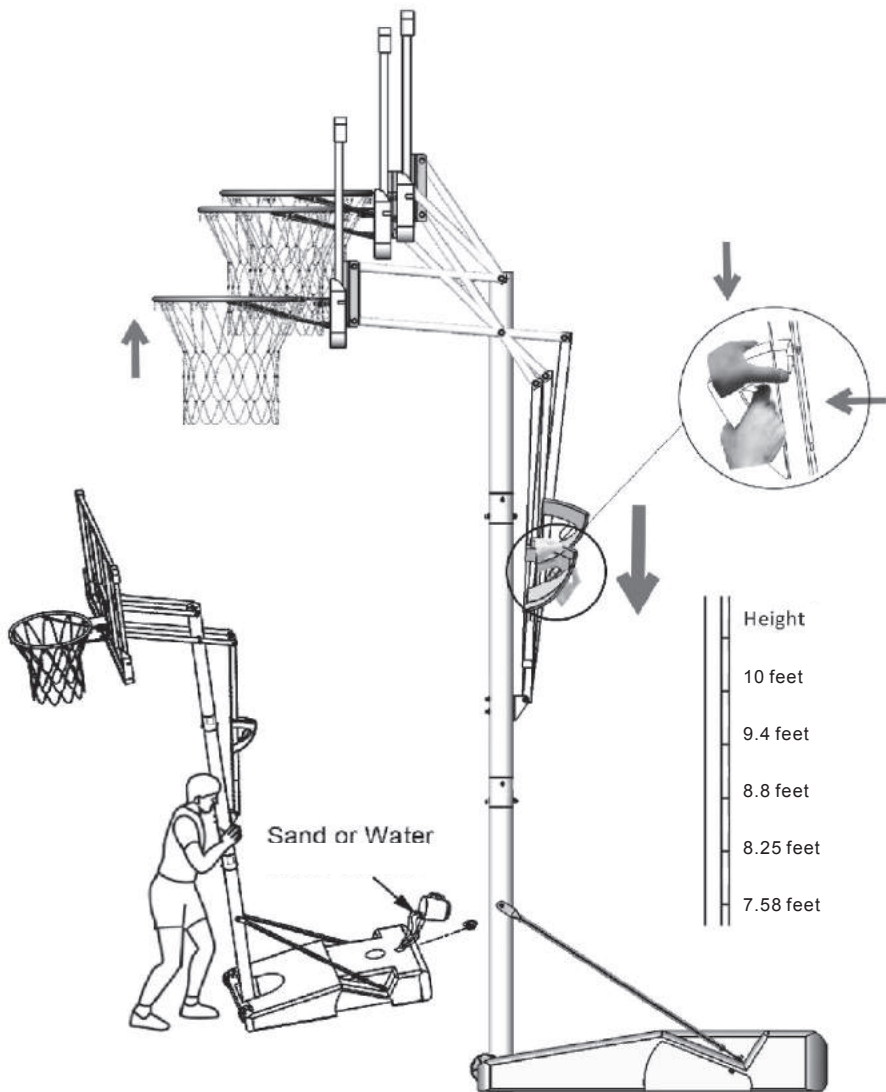


### WARNING

When the base is filled with water or sand, players must check the leakage of the base, to prevent base instability, leading to injury.



**WARNING**  
 Moving of the basketball unit must be carried out by adults.  
 Be sure to follow the correct way of moving, avoid the following two incorrect ways.



## WARNING

THOSE WHO ASSEMBLE AND USE THE UNIT MUST READ, UNDERSTAND AND COMPLY WITH ALL THE FOLLOWING AND THE OWNER MUST ENSURE THAT ALL PLAYERS KNOW AND FOLLOW THE RULES FOR THE SAFE OPERATION OF THIS UNIT .

THE UNIT MUST BE REMOVED AND ASSEMBLED ONLY BY ADULTS WHO CAN SAFELY HANDLE THE WEIGHT.

1. Before assembling the unit , the assembler must read all instructions carefully and ensure that all parts are present.
2. Before building the basketball unit , you will need to choose a flat piece of ground void of any obstacles that could cause harm to the players.
3. Before using the unit , the players must first check the stability of the base. The ground under the base should be free of sharp objects that could cause the base to leak. The base should be filled with the appropriate amount of sand or water, as outlined in the instruction manual.
4. Do not push or drag the base on the ground, as it may cause damage.
5. This unit should not be used for a formal match. Dunking and hanging from the rim is not advised.
6. Do not wear any form of jewelry, as this may cause injury.
7. Do not use the system in severe weather.
8. Do not climb the pole or hang from the rim.
9. Check the unit before each use for loose or damaged parts.