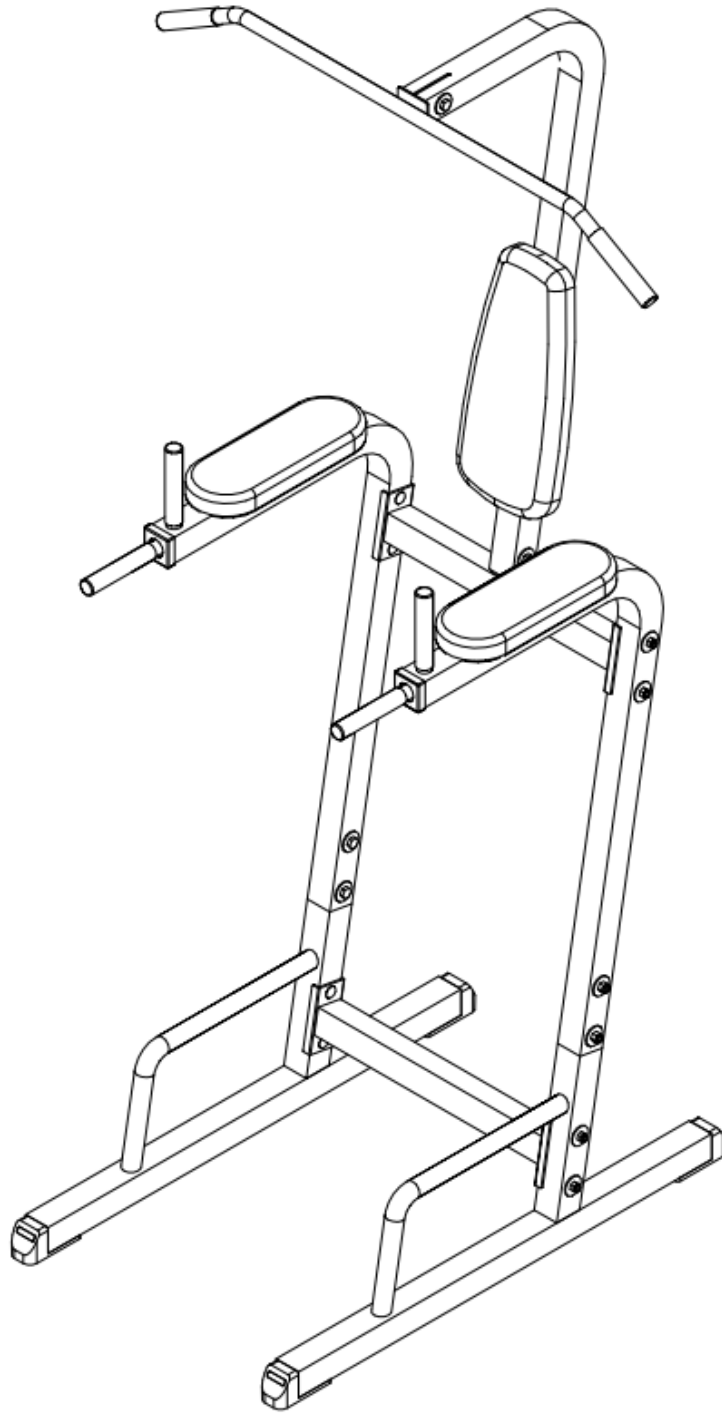


HIT00265

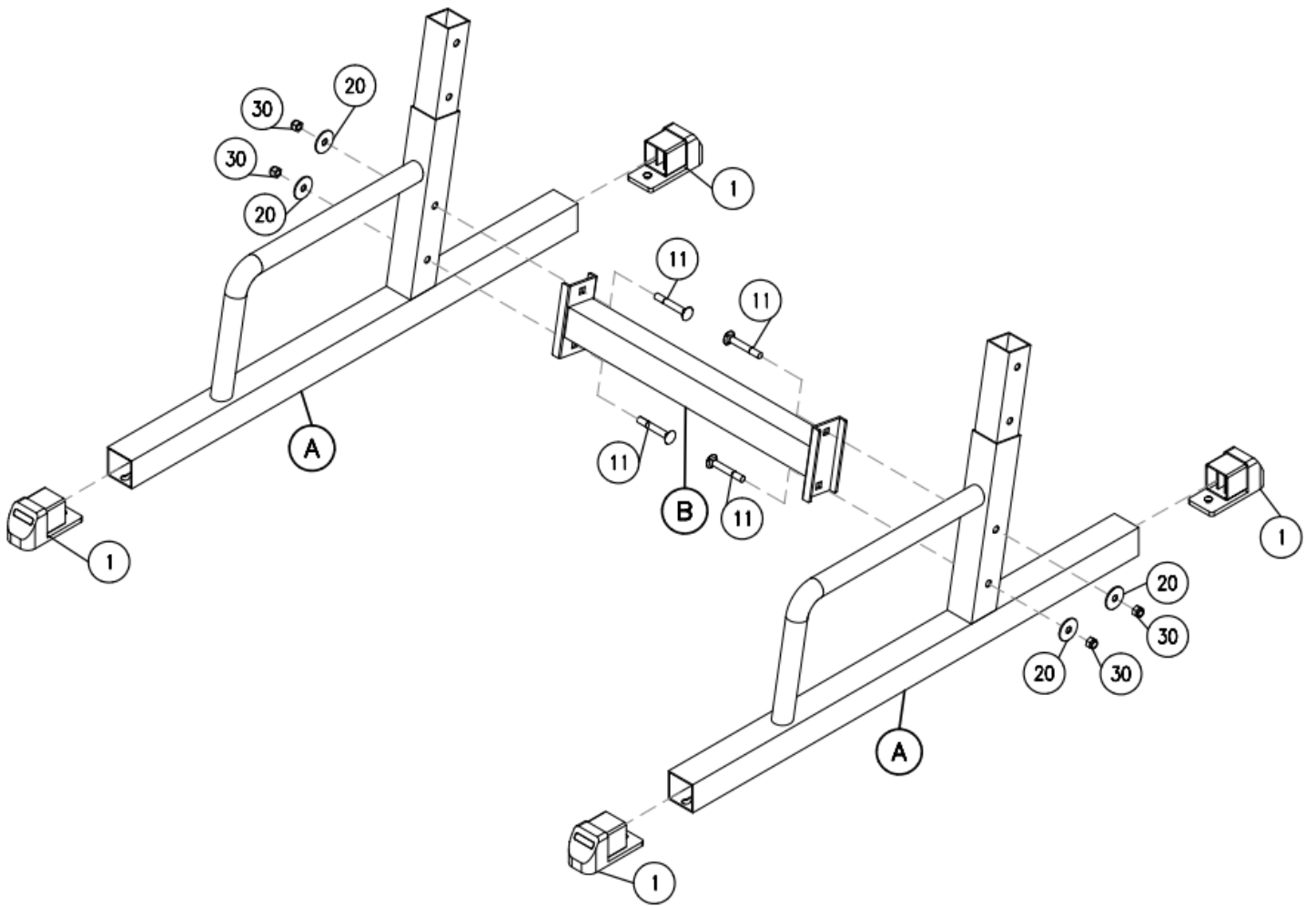
POWER TOWER



OWNER'S MANUAL

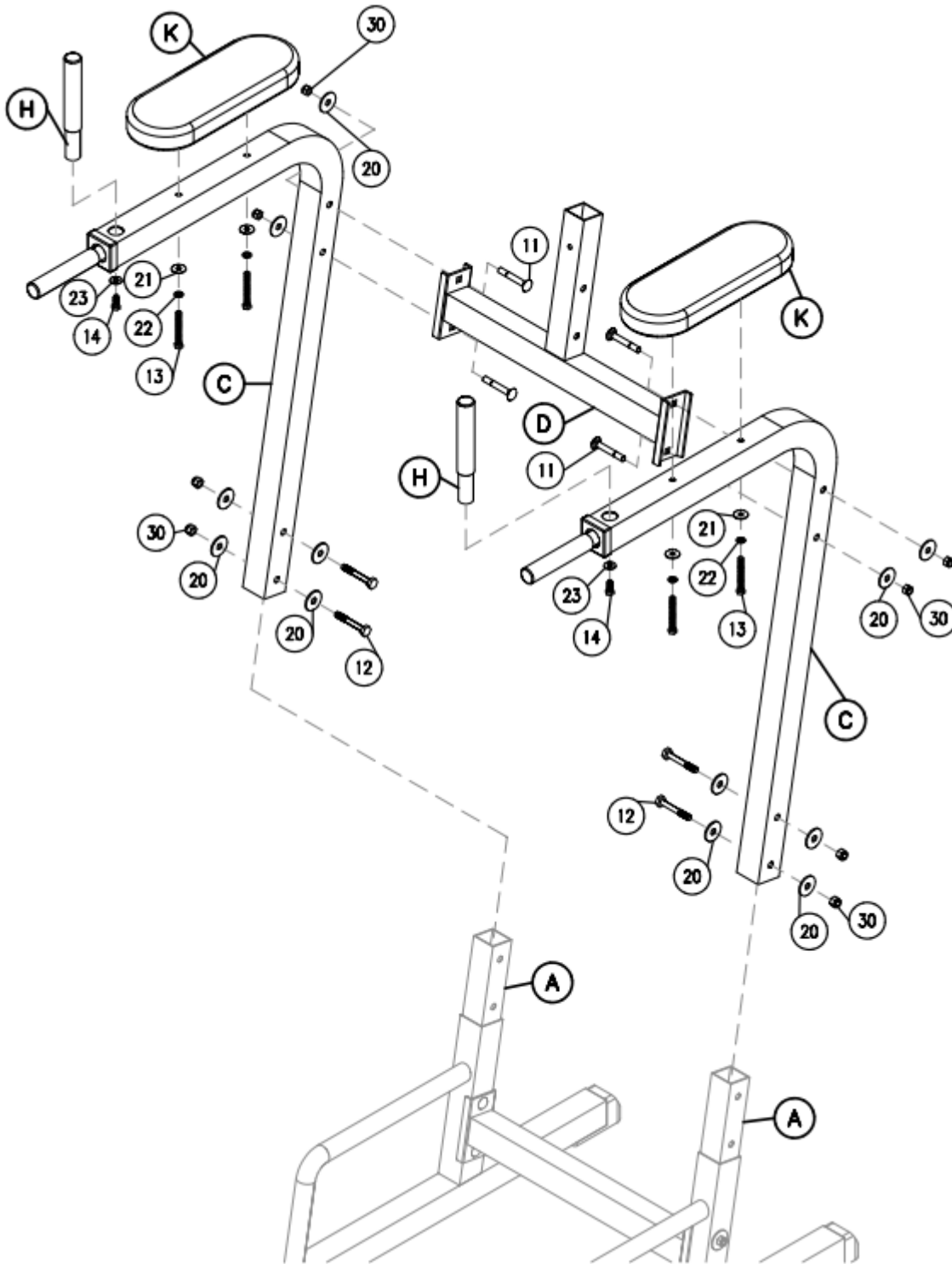
PART LIST

PART NO:	DESCRIPTION	Q'TY
A.	LEFT&RIGHT BOTTOM FRAME	2
B.	BOTTOM CONNECTION FRAME	1
C.	LEFT&RIGHT ELBOW FRAME	2
D.	MIDDLE CONNECTION FRAME	1
E.	TOP BENT FRAME	1
F.	PULL UP BAR	1
H.	HANDLE	2
K.	ARM PAD	2
M.	BACK PAD	1
1.	50*50 FOOT CAP	4
11.	CARRIAGE BOLT M10*65	8
12.	HEX BOLT M10*65	7
13.	HEX BOLT M8*65	6
14.	HEX BOLT M10*20	2
20.	Φ10 WASHER	22
21.	Φ8 WASHER	6
22.	Φ8 SPRING WASHER	6
23.	Φ10 WASHER	2
30.	M10 NYLON NUT	15



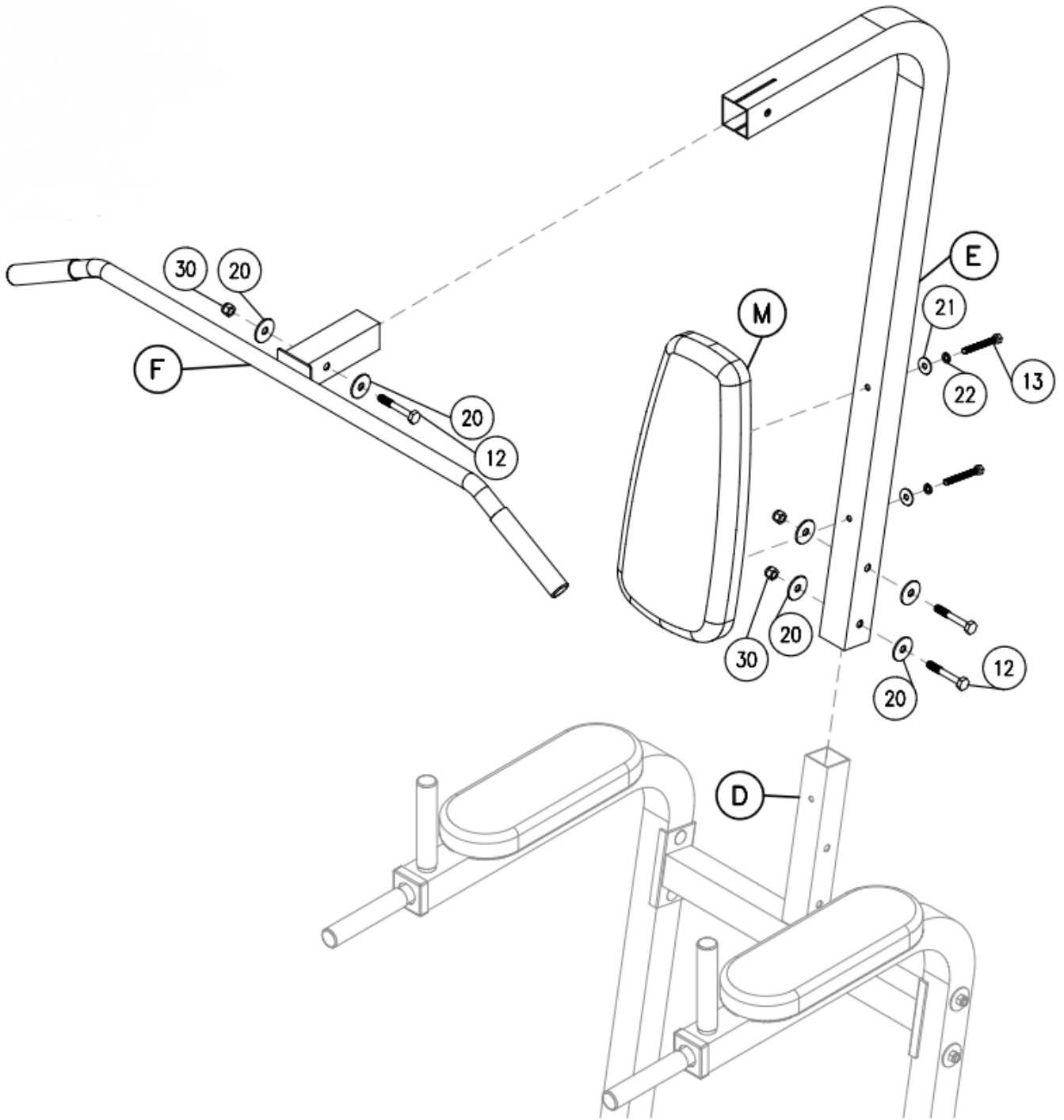
STEP 1

1. PLACE (1) ONTO (A); CONNECT (A) AND (B) WITH (11,20,30), AS SHOWN;



STEP 2

1. FIX (C) AND (K) WITH (13,22,21); FIX (C) AND (H) WITH (14,23), AS SHOWN;
2. CONNECT (A) AND (C) WITH (12,20,30); CONNECT (D) AND (C) WITH (11,20,30), AS SHOWN;



STEP 3

1. CONNECT (E) AND (D) WITH (12,20,30), AS SHOWN
2. FIX (E) AND (F) WITH (12,20,30), AS SHOWN;
3. FIX (E) AND (M) WITH (13,22,21), AS SHOWN;

NOTE: FASTEN ALL BOLTS BEFORE USING THE POWER TOWER.