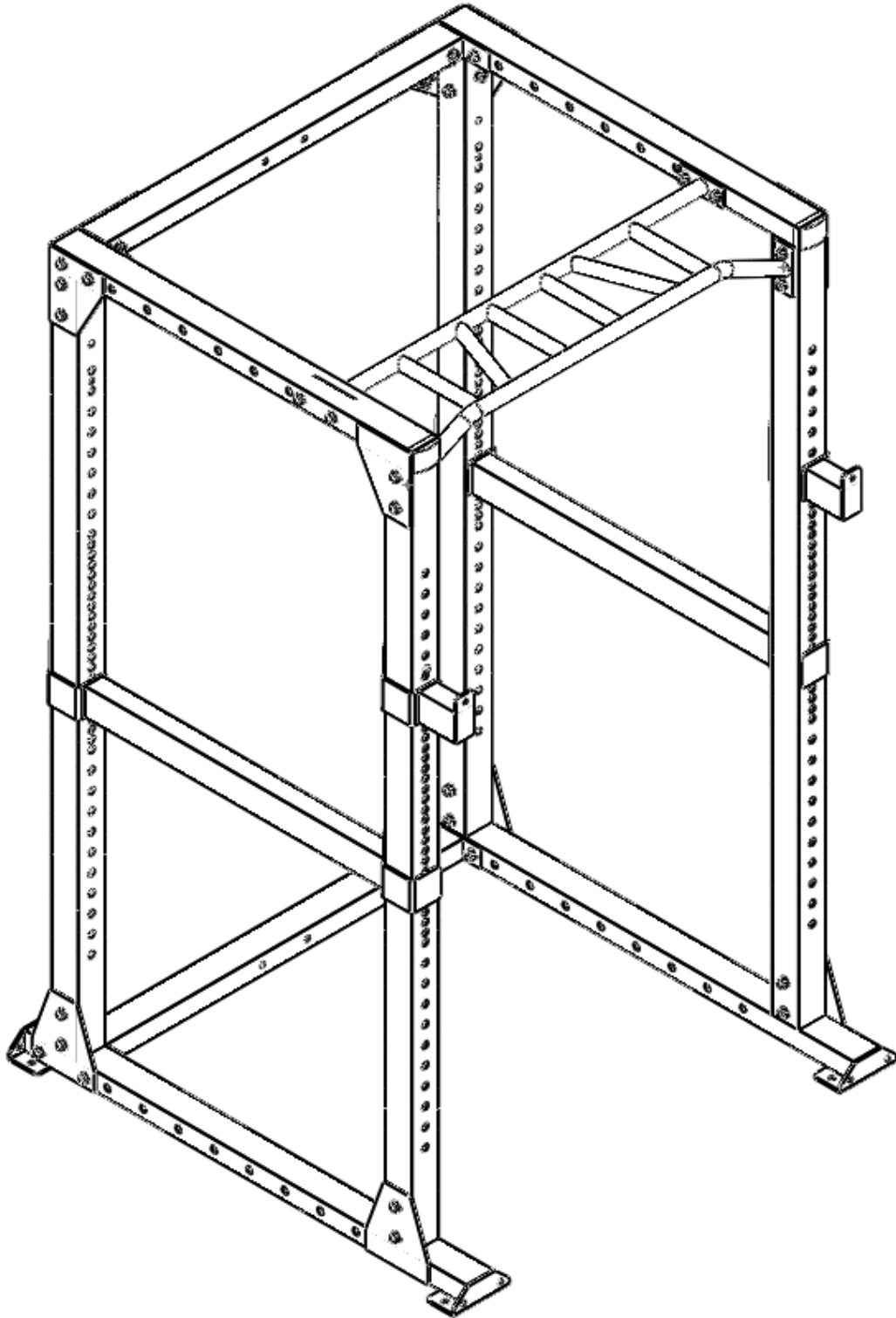


HIT00163

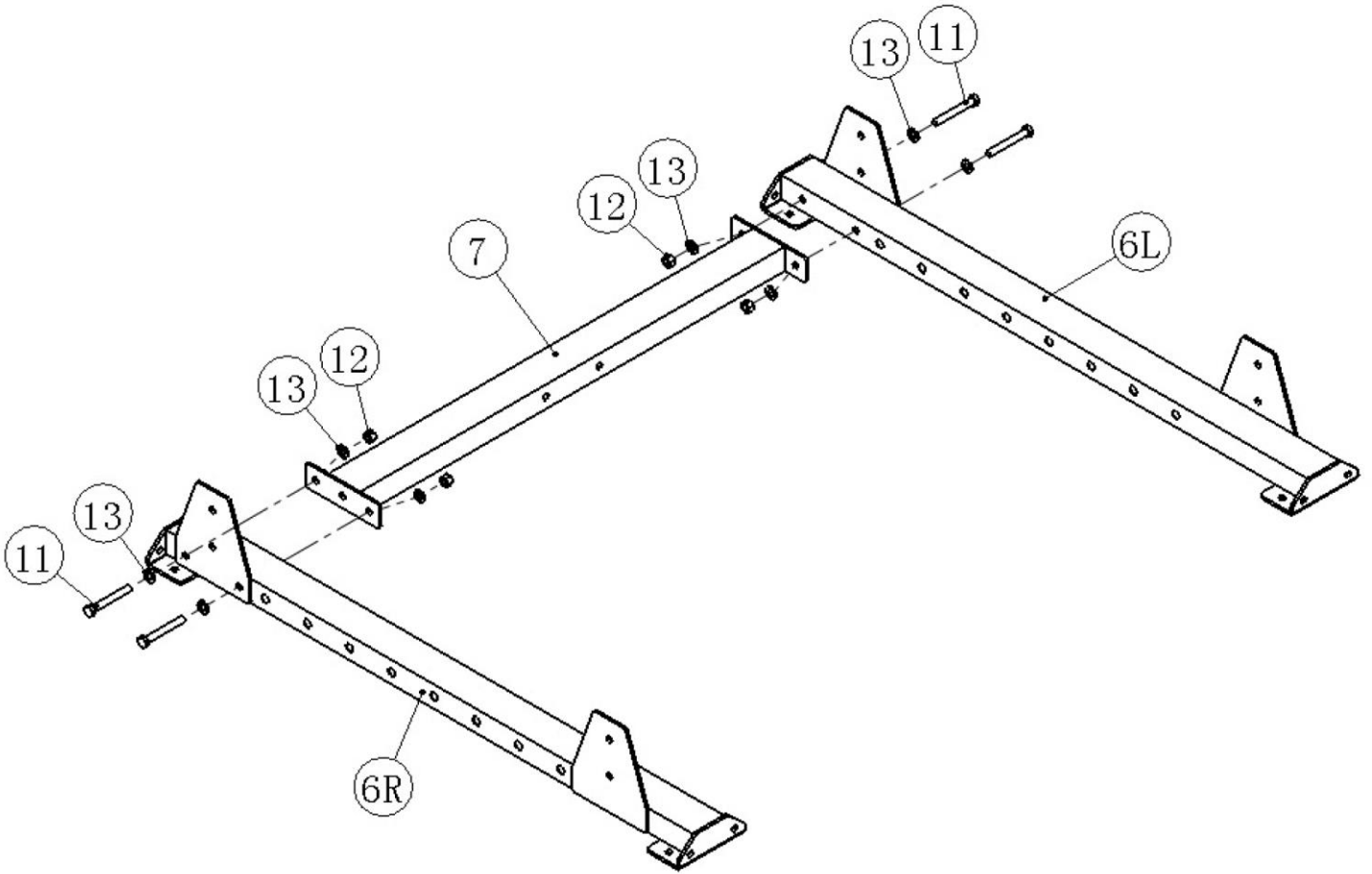
COMMERCIAL FULL RACK



OWNER'S MANUAL

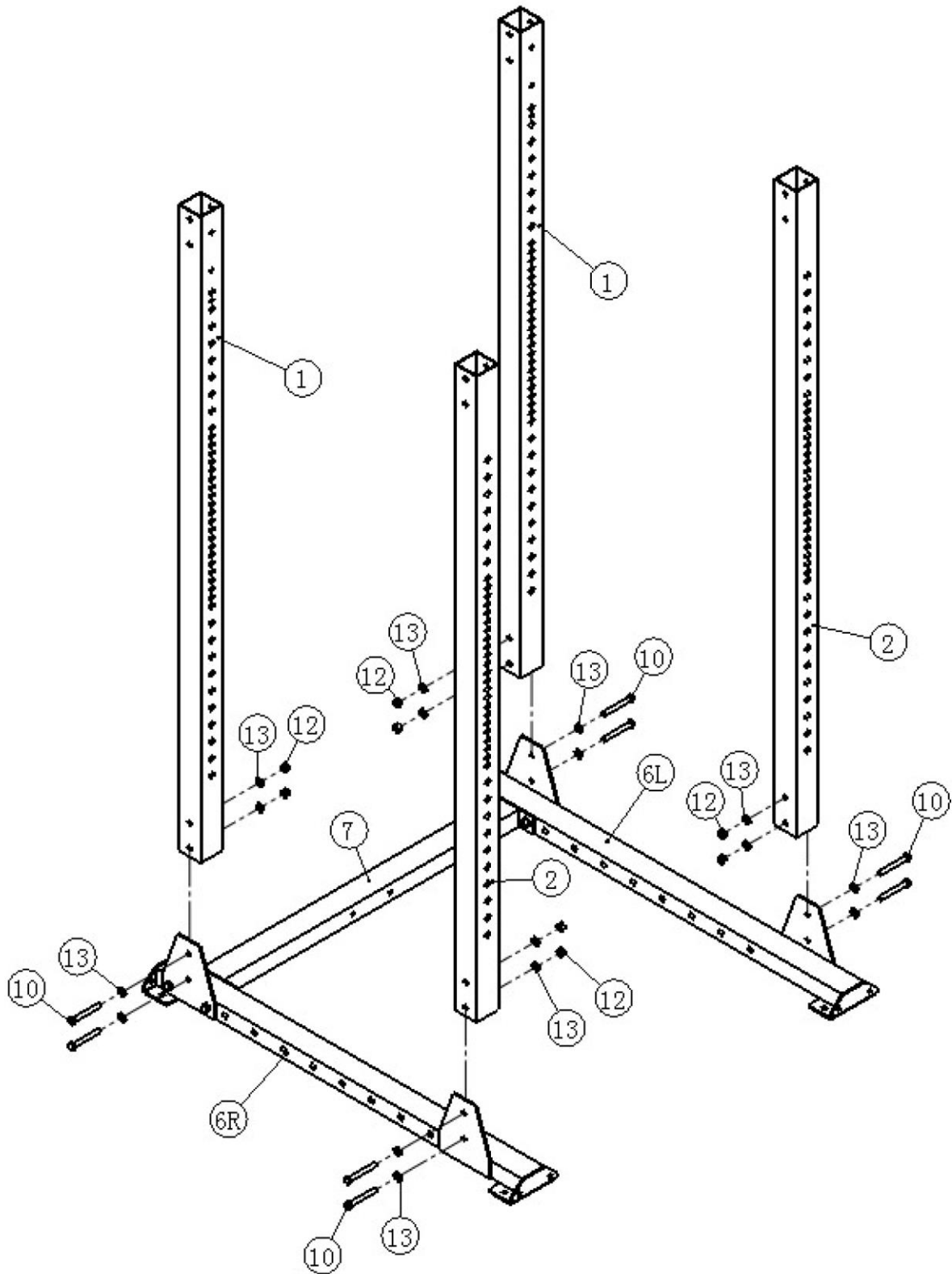
PART LIST

| PART NO: | DESCRIPTION | Q'TY |
|----------|-----------------------|------|
| 1. | REAR VERTICAL FRAME | 2 |
| 2. | FRONT VERTICAL FRAME | 2 |
| 3L. | LEFT TOP FRAME | 1 |
| 3R. | RIGHT TOP FRAME | 1 |
| 4. | MONKEY BAR | 1 |
| 5. | REAR TOP FRAME | 1 |
| 6L. | LEFT BOTTOM FRAME | 1 |
| 6R. | RIGHT BOTTOM FRAME | 1 |
| 7. | REAR BOTTOM FRAME | 1 |
| 8L. | LEFT SAFETY BAR | 1 |
| 8R. | RIGHT SAFETY BAR | 1 |
| 9L. | LEFT J CUP | 1 |
| 9R. | RIGHT J CUP | 1 |
| 10. | HEX BOLT M12*100 | 22 |
| 11. | HEX BOLT M12*105 | 10 |
| 12. | NYLON NUT M12 | 30 |
| 13. | WASHER Φ 12 | 62 |
| 14. | RECTANGULAR CAP 50*75 | 2 |



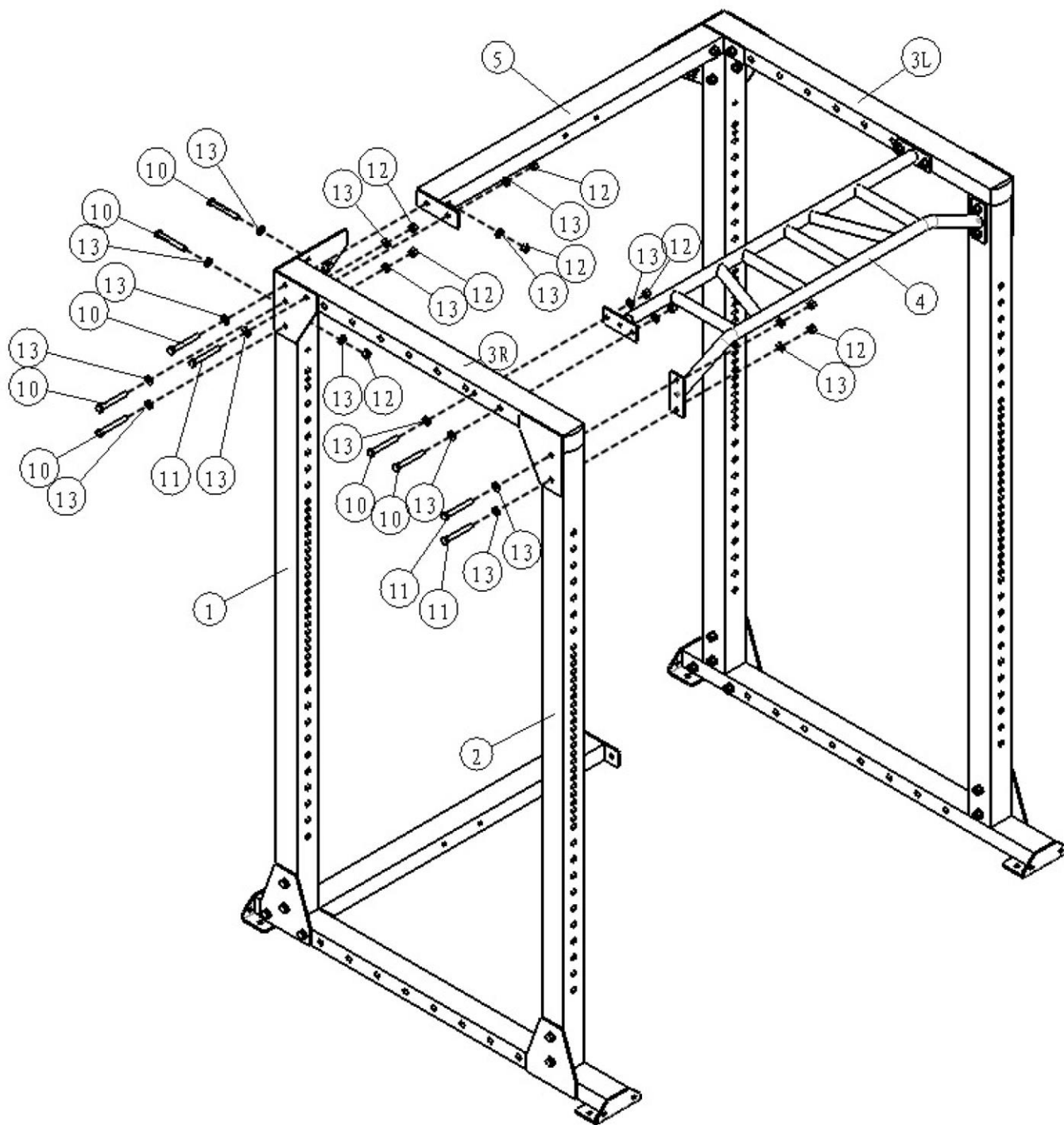
STEP 1

1. CONNECT (7) AND (6R) WITH (11,13,12); SAME TO (7) AND (6L); AS SHOWN;



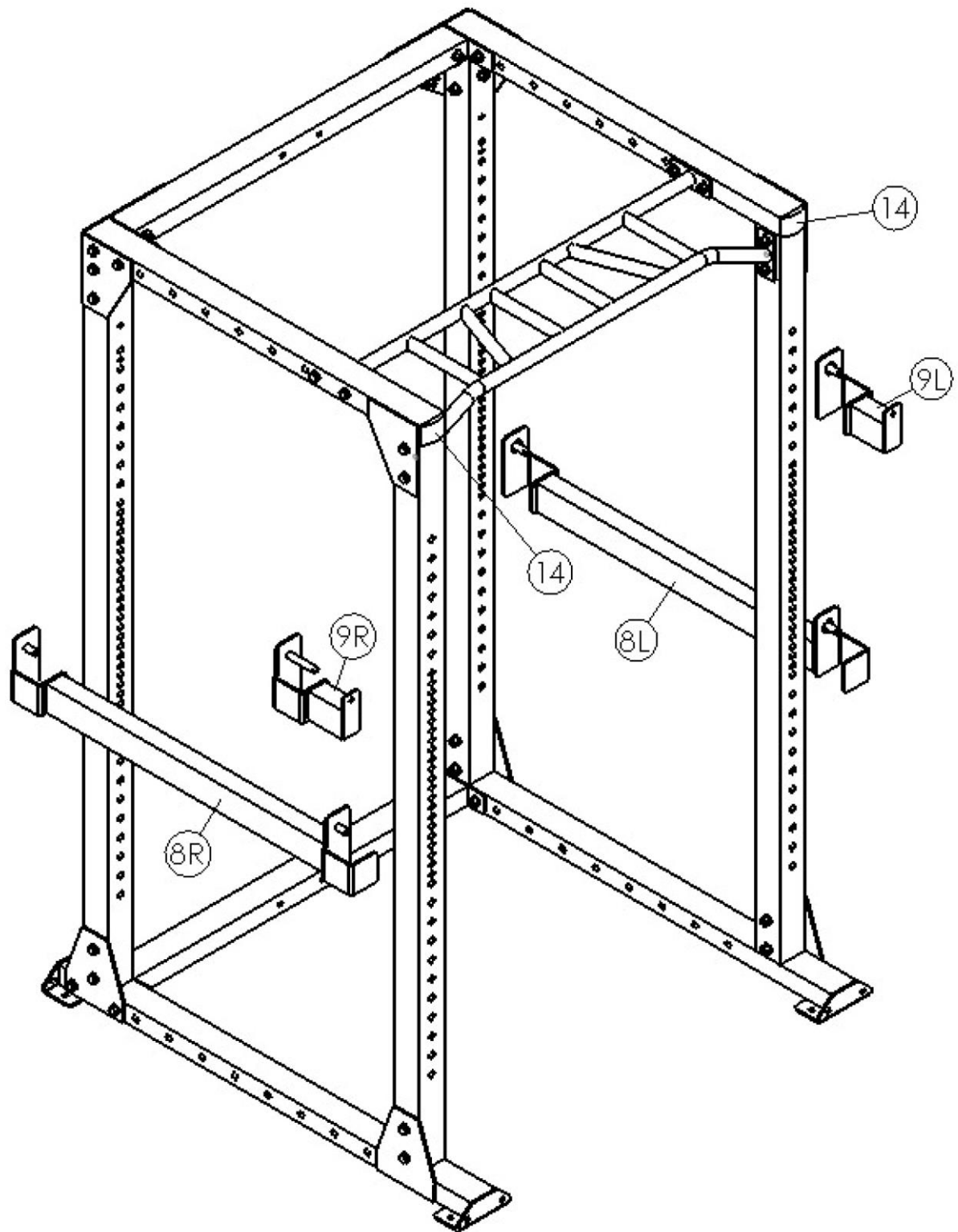
STEP 2

1. CONNECT (1) AND (6R) WITH (10,13,12); SAME TO (1) AND (6L);
2. CONNECT (2) AND (6R) WITH (10,13,12); SAME TO (2) AND (6L); AS SHOWN



STEP 3

1. CONNECT (1) AND (3R) WITH (10,13,12);SAME TO (1) AND (3L);
2. CONNECT (5) AND (3R) WITH (10,13), (10,13,12) AND (11,13, 12);SAME TO (5) AND (3L);
3. CONNECT (4), (2) AND (3R) WITH (10,13,12) AND (11,13,12); SAME TO (4),(2) AND (3L), AS SHOWN;



NOTE: FASTEN ALL BOLTS BEFORE USING THE COMMERCIAL FULL RACK.