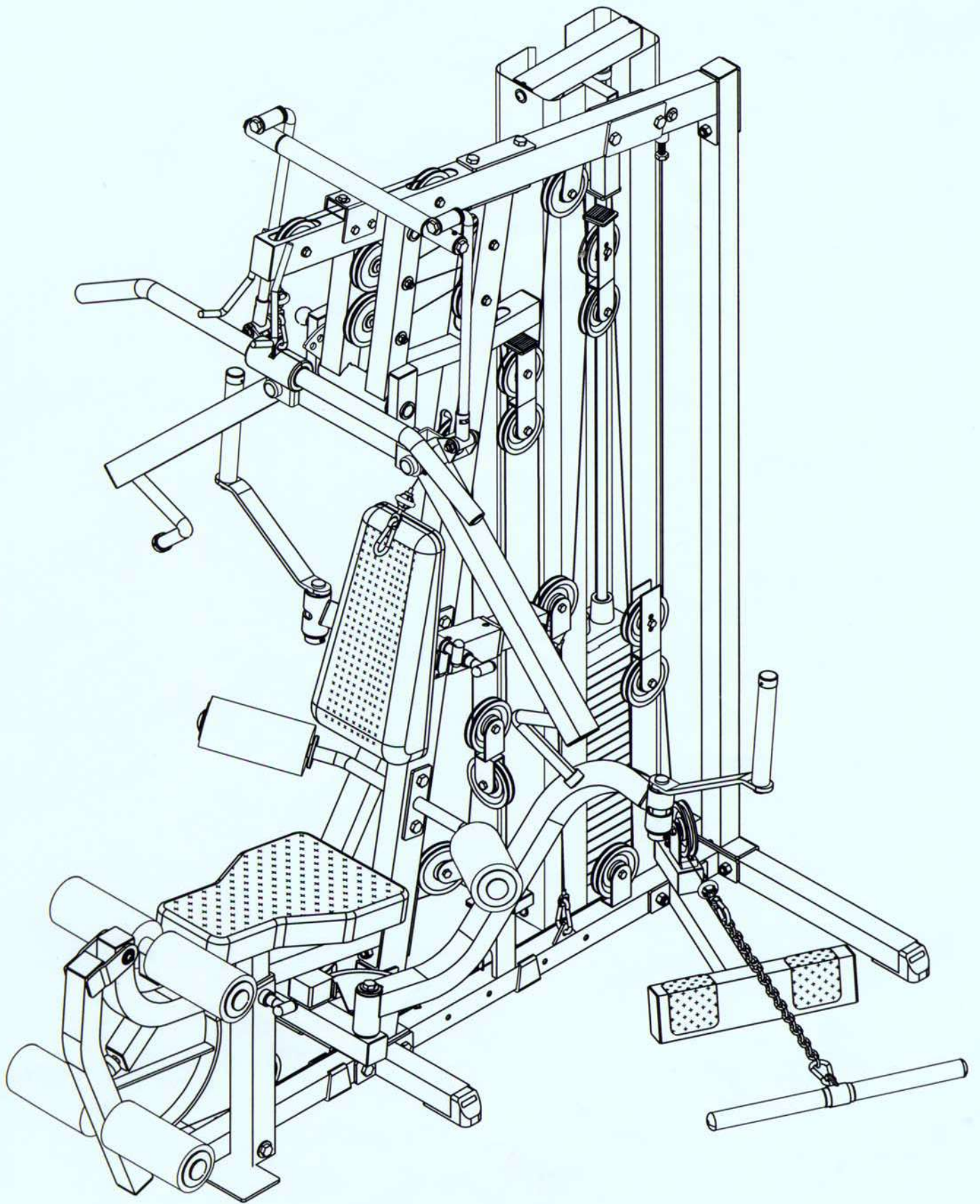


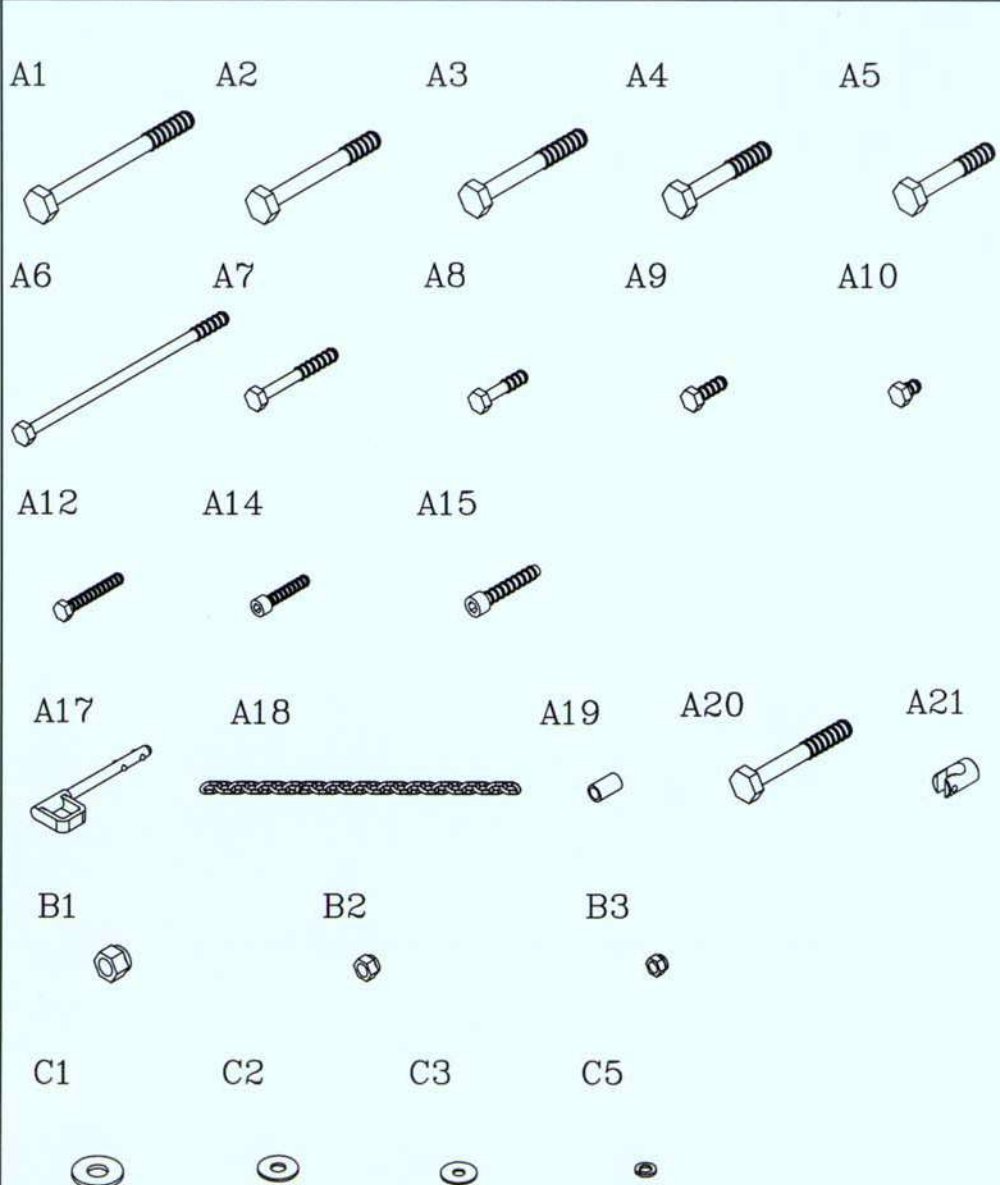
EXM-2750.6





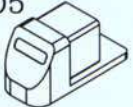
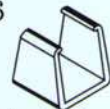


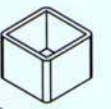








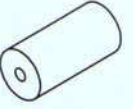





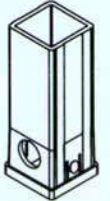






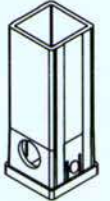




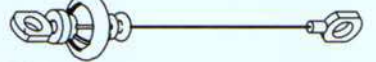

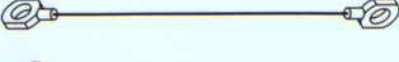




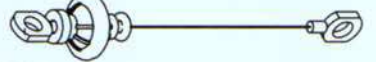

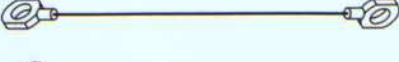





VERSION 0903

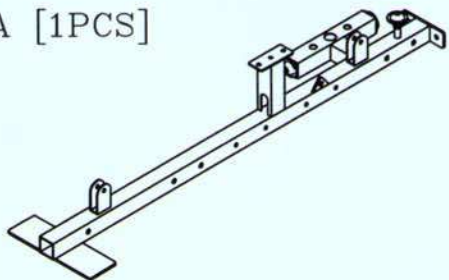
EXM-2750.6 HARDWARE ILLUSTRATION SHEET

	Qty.
A1. 1/2"X5 1/4" HEX HEAD BOLT -----	[1PCS]
A2. 1/2"X4" HEX HEAD BOLT -----	[4PCS]
A3. 1/2"X3 3/4" HEX HEAD BOLT -----	[1PCS]
A4. 1/2"X3" HEX HEAD BOLT -----	[13PCS]
A5. 1/2"X2 3/4" HEX HEAD BOLT -----	[1PCS]
A6. 3/8"X7 1/4" HEX HEAD BOLT -----	[2PCS]
A7. 3/8"X2 3/4" HEX HEAD BOLT -----	[8PCS]
A8. 3/8"X1 1/2" HEX HEAD BOLT -----	[16PCS]
A9. 3/8"X1" HEX HEAD BOLT -----	[2PCS]
A10. 3/8"X1/2" HEX HEAD BOLT -----	[1PCS]
A12. 5/16X1 3/4" HEX HEAD BOLT -----	[4PCS]
A14. 5/16"X1 1/2" ROUND BOLT -----	[3PCS]
A15. 3/8"X2" ROUND BOLT -----	[1PCS]
A17. 10BL PIN -----	[1PCS]
A18. STEEL CHAIN -----	[1PCS]
A19. 1/2"X22 SLEEVE -----	[3PCS]
A20. 1/2"X3 1/2"HEX HEAD BOLT -----	[2PCS]
A21. ø12 BUSHING (8890-010) -----	[1PCS]
B1. 1/2" NYLON LOCK NUT -----	[20PCS]
B2. 3/8" NYLON LOCK NUT -----	[28PCS]
B3. 5/16" NYLON LOCK NUT -----	[3PCS]
C1. 1/2" (I.D)WASHER -----	[7PCS]
C2. 3/8" (I.D)WASHER -----	[7PCS]
C3. 5/16" (I.D)WASHER -----	[4PCS]
C5. 5/16" SPRING WASHER -----	[4PCS]

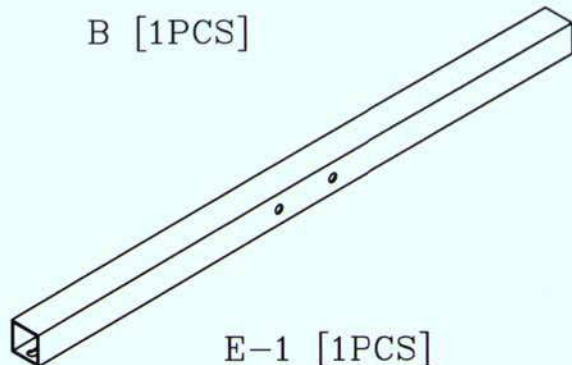


	Qty.		Qty.
D1. 50X75 END CAP (9211-012)-----	[1PCS]	D35. 2860mm STEEL CABLE-----	[1PCS]
D2. 2"X2"X1.8t END CAP (9211-005)-----	[3PCS]	D36. 1650mm STEEL CABLE-----	[1PCS]
D3. 2"X2"X2.5t END CAP (9211-006)-----	[12PCS]	D37. 665mm STEEL CABLE-----	[1PCS]
D4. 1"X2" END CAP (9211-009)-----	[8PCS]	D39. ϕ 1" ROUND END CAP (9260-021)-----	[4PCS]
D5. 50X50X2.5 FOOT CAP (9211-025)-----	[4PCS]		
D6. 2"X2" RUBBER DOUNT (9212-010)-----	[2PCS]	D1	D2
D7. ϕ 1"X1.6t ROUND END CAP (9211-016)-----	[2PCS]		
D8. ϕ 1" ROUND END CAP (8341-033)-----	[6PCS]	D3	D4
D9. 2"X2" RUBBER DOUNT (9310-020)-----	[1PCS]		
D10. ϕ 10.5 STEEL BUSHING (8530-009)-----	[10PCS]	D5	D6
D11. 38X38mm RUBBER PAD (9310-001)-----	[2PCS]		
D12. 2"X2" RUBBER CANE CAP (9214-002)-----	[2PCS]	D7	D8
D13. ϕ 5/8" STEEL BUSHING (8110-011)-----	[4PCS]		
D14. ϕ 3/4" SHAFT COLLAR (9211-046)-----	[2PCS]	D9	D10
D16. ϕ 110 PULLEY (9213-002)-----	[23PCS]		
D17. TOP PLATE (8400-005)-----	[1PCS]	D11	D12
D18. ϕ 8 SPRING SNAP LINK (8810-001)-----	[5PCS]		
D20. ϕ 4"X23X8" FOAM ROLLER (9161-009)-----	[6PCS]	D13	D14
D21. ϕ 3" NYLON WASHER (9214-008)-----	[6PCS]		
D22. WEIGHT SELECTOR BAR (8210-042A)-----	[1PCS]	D16	D17
D23. 2"X4" END CAP (9211-014)-----	[2PCS]		
D24. ϕ 3/4"X8L STEEL BUSHING (8110-014)-----	[6PCS]	D18	D20
D25. ϕ 2 1/2" RUBBER DOUNT (9310-010)-----	[2PCS]		
D26. 95X140mm NO SLIP TAPEL (9310-035)-----	[2PCS]	D21	D23
D27. ϕ 1" CU WASHER (8520-008)-----	[2PCS]		
D28. 60X50 NYLON BUSHING (9211-033)-----	[2PCS]	D22	D24
D29. 60X45 NYLON BUSHING (9211-047)-----	[1PCS]		
D30. ϕ 1" SHAFT COLLAR (8130-024)-----	[2PCS]	D23	D25
D31. CABLE SHAFT (8220-073)-----	[1PCS]		
D32. ϕ 5/8" ROUND END CAP(9211-015)-----	[2PCS]	D26	D30
D33. 4270mm STEEL CABLE-----	[1PCS]		
D34. 4735mm STEEL CABLE-----	[1PCS]	D27	D31
			
		D28	D32
			
		D29	D33
			
		D30	D34
			
		D31	D35
			
		D32	D36
			
		D33	D37
			
		D34	D38
			
		D35	D39
			
		D36	
			
		D37	
			
		D38	
			
		D39	
			

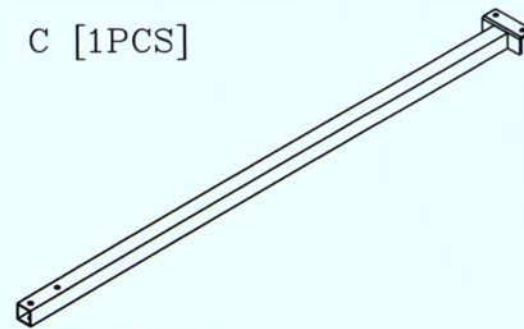
A [1PCS]



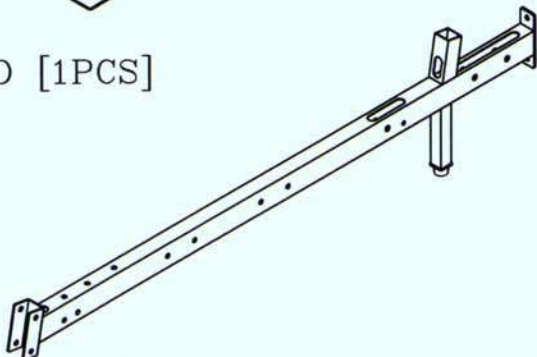
B [1PCS]



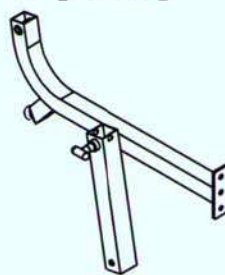
C [1PCS]



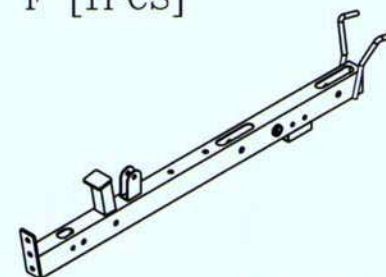
D [1PCS]



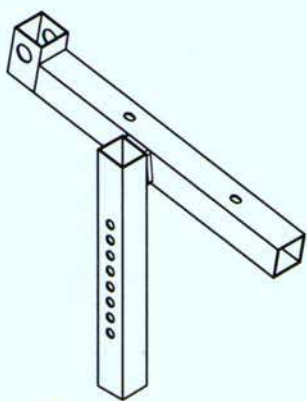
E-1 [1PCS]



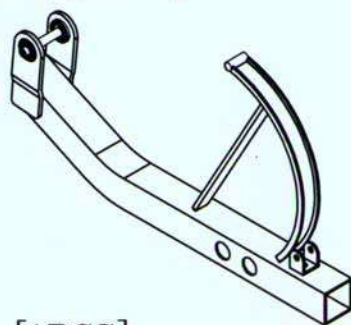
F [1PCS]



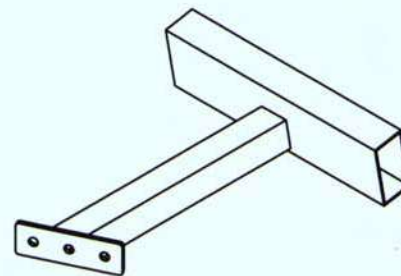
G1 [1PCS]



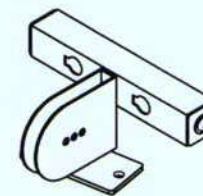
H-1 [1PCS]



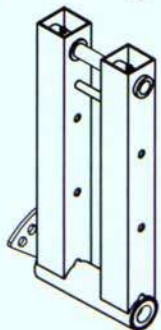
I [1PCS]



J [1PCS]



K [1PCS]



L [1PCS]



M [1PCS]



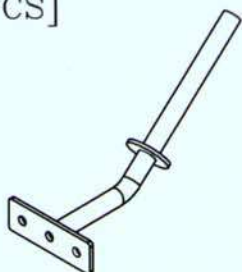
N [1PCS]



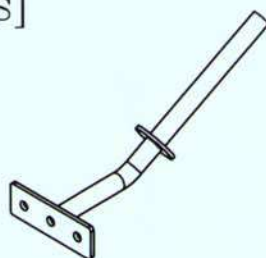
O [1PCS]



P [1PCS]



Q [1PCS]



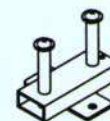
R [1PCS]



S [1PCS]



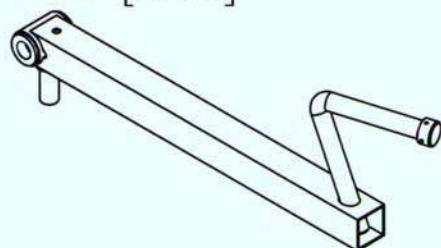
T [1PCS]



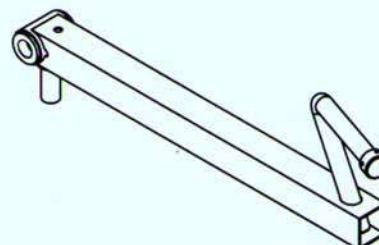
U [2PCS]



V [1PCS]



W [1PCS]



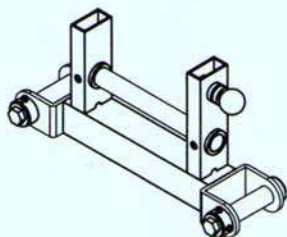
X [2PCS]



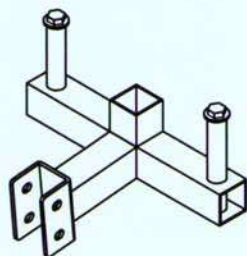
Y [2PCS]



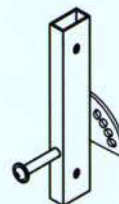
AA [1PCS]



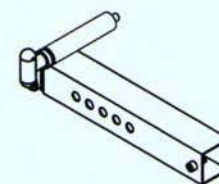
AB-1 [1PCS]



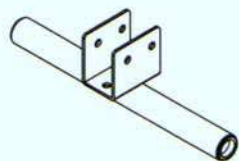
AC [1PCS]



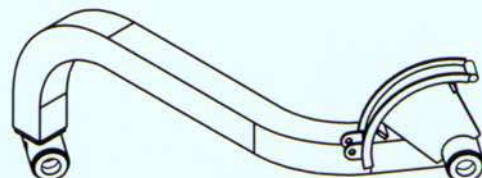
AD [1PCS]



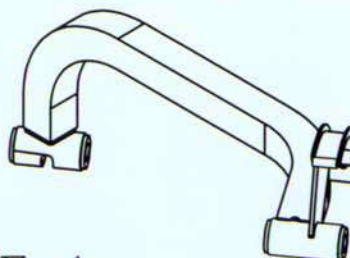
AE [1PCS]



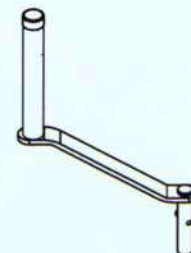
AF-1 [1PCS]



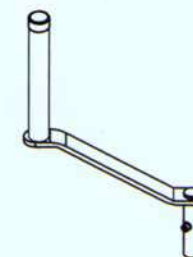
AG-1 [1PCS]



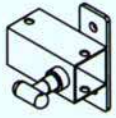
AH [1PCS]



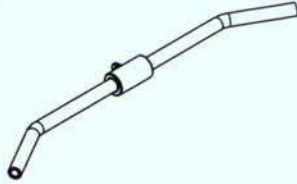
AI [1PCS]



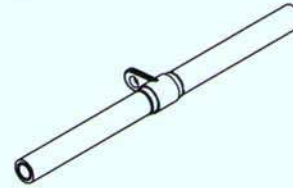
AJ [1PCS]



AK [1PCS]



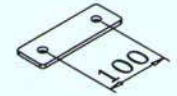
AL [1PCS]



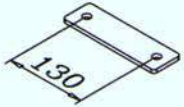
AM [2PCS]
ø1"X475L



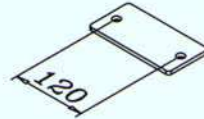
AN [2PCS]
50X6tX150L



AO [1PCS]
50X6tX170L



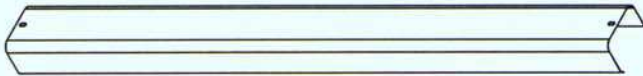
AP [1PCS]
75X6tX150L



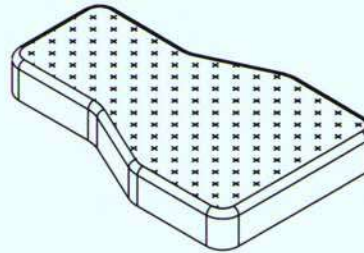
AQ [2PCS]



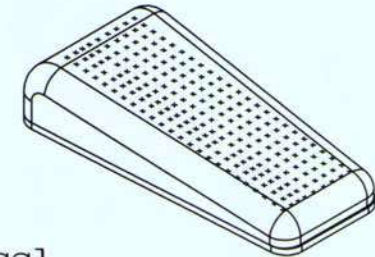
AS [2PCS]



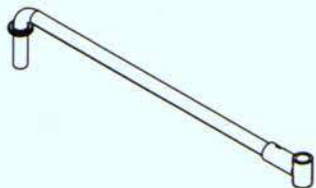
AT [1PCS]



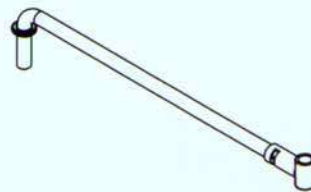
AU [1PCS]



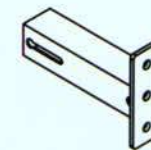
AX [1PCS]



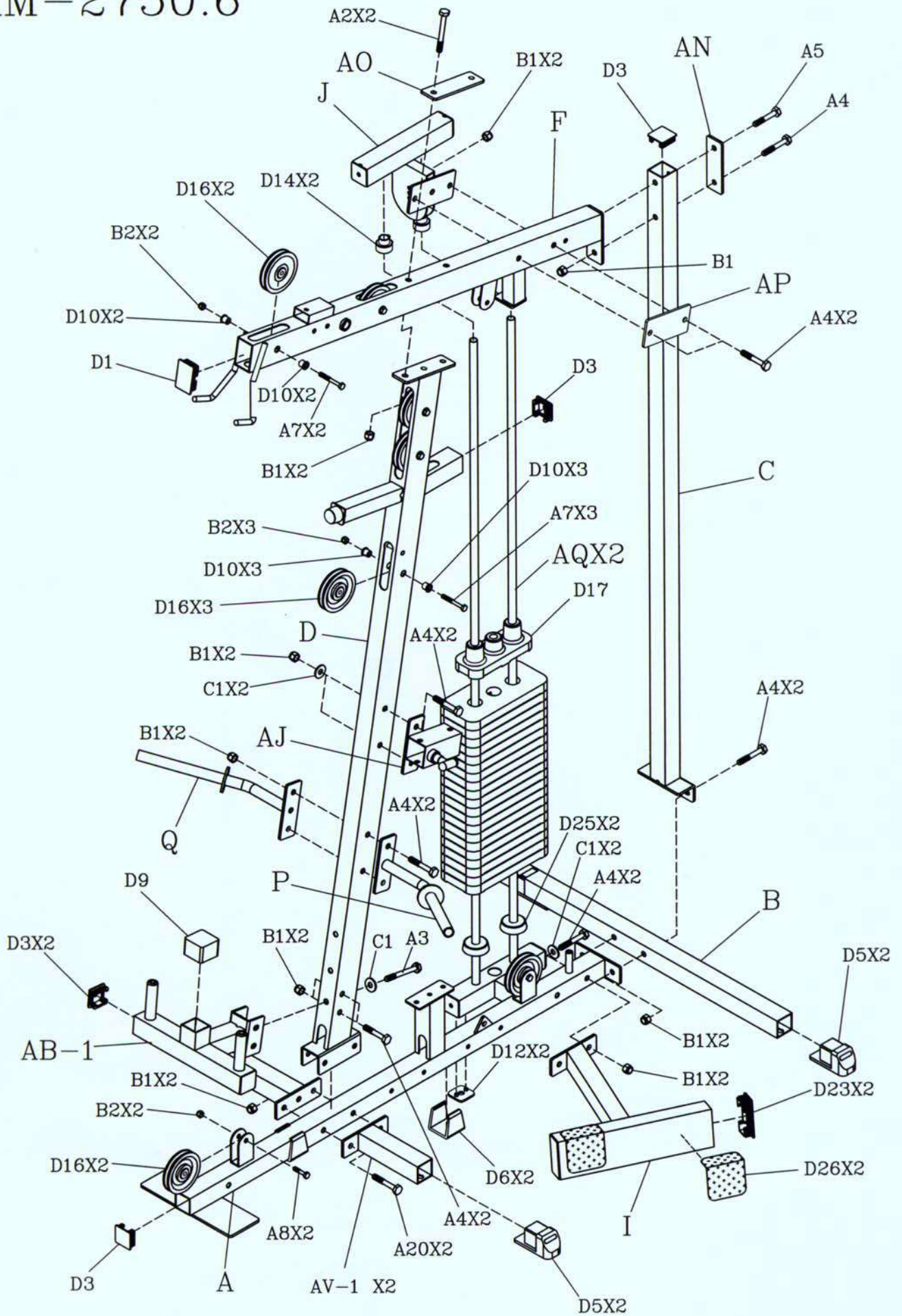
AY [1PCS]



AV-1 [2PCS]

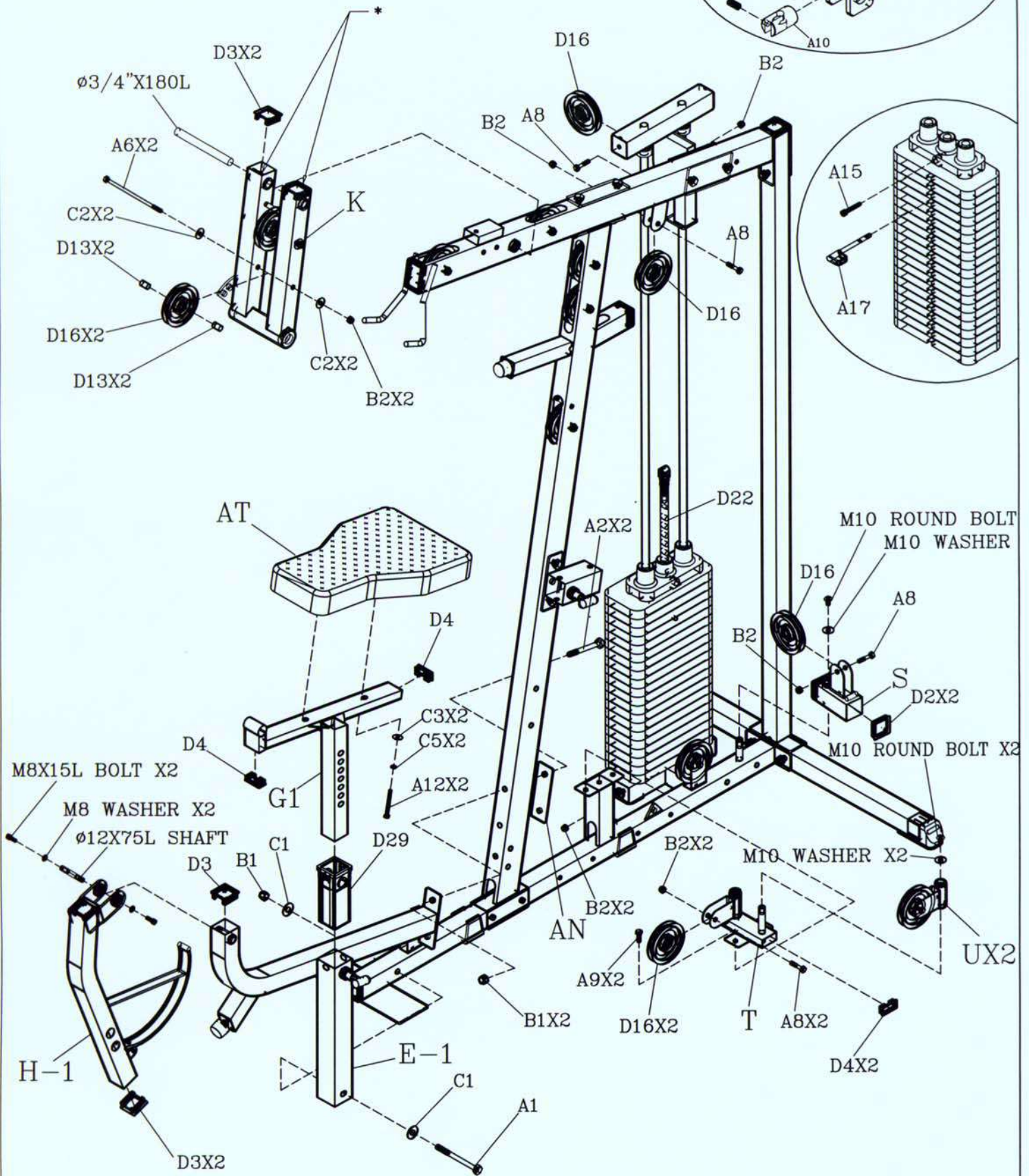


EXM-2750.6



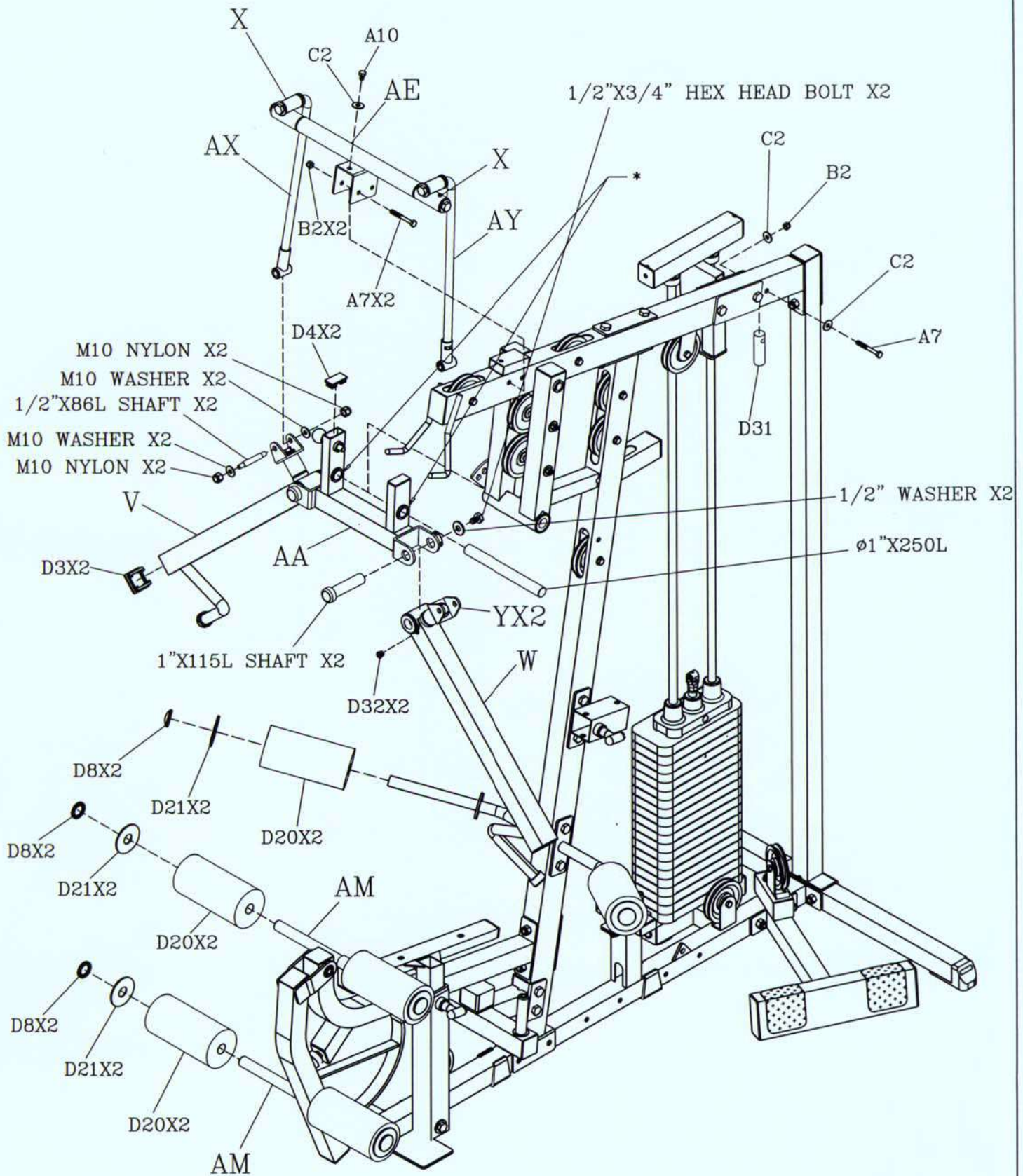
EXM-2750.6

* : NEED TO LOOSEN BOTH ALLEN HEAD BOLT
IN ORDER TO REMOVE SHAFT



EXM-2750.6

* : NEED TO LOOSEN BOTH ALLEN HEAD BOLT
IN ORDER TO REMOVE SHAFT



EXM-2750.6

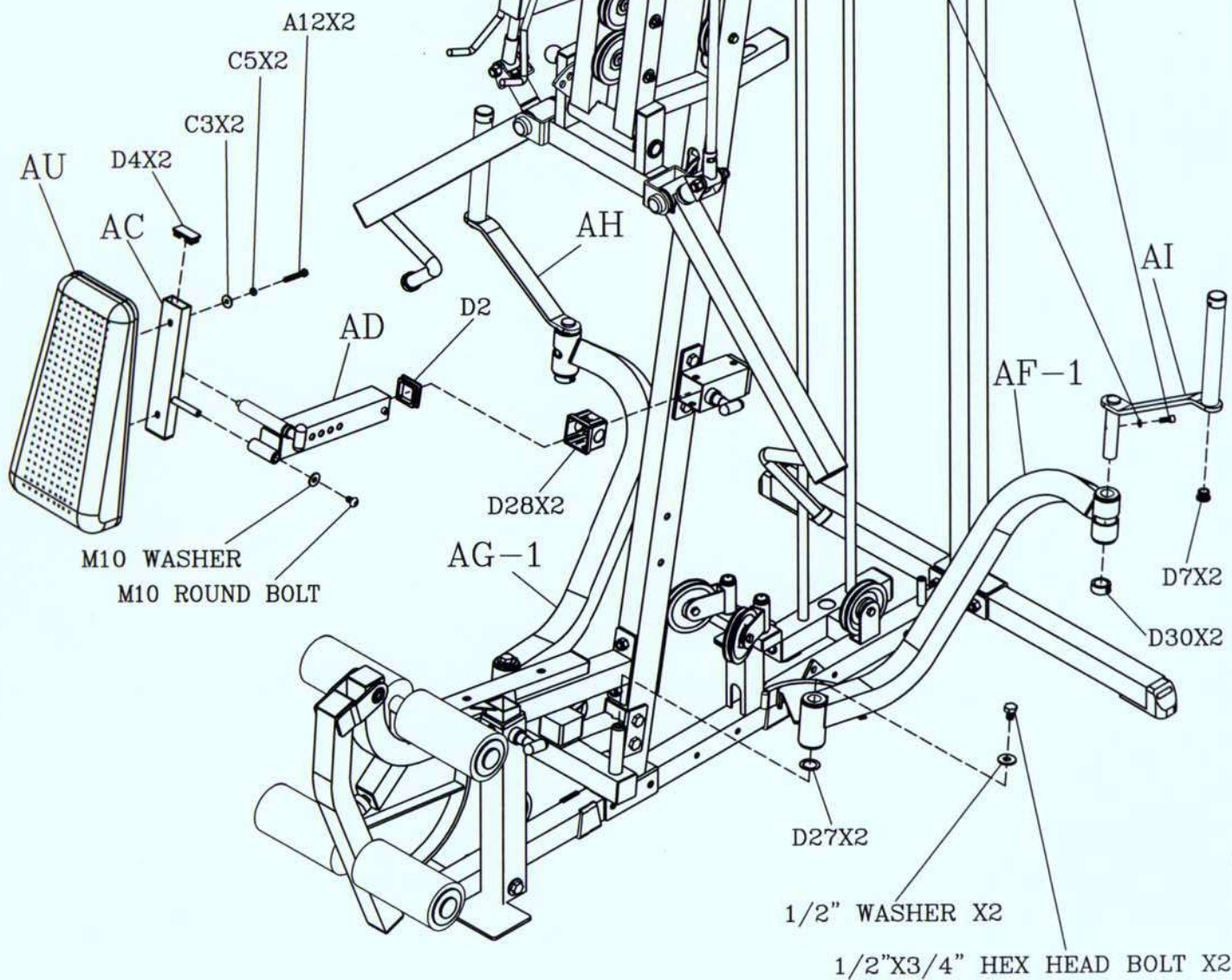
THERE IS A RISK ASSUMED BY INDIVIDUALS WHO USE THIS TYPE OF EQUIPMENT. TO MINIMIZE RISK, YOU MUST FOLLOW THESE RULES:

1. Inspect equipment before each workout. Check that all nuts, bolts, screws and pop pins are in place and fully tightened. Also, before use, check cables for signs of wear. Replace all worn parts immediately. Never use machine if any parts are damaged or missing. Failure to follow these rules may result in serious injury.
2. Keep clear of the cables and all moving parts when the machine is in use.
3. Always make sure all Snap Links are closed when doing any cable/pulley exercises.
4. Exercise with care. Perform your exercises at a smooth moderate pace; never perform jerky or uncoordinated movements that may cause injury.
5. It is recommended that you should workout with a training partner.
6. Do not allow children or minors to play on or around this equipment.
7. If unsure of proper use of equipment, call your local Body-Solid distributor or the Body-Solid customer service department at 1-800-556-3113.
8. **WARNING:** Consult your physician before starting your exercise program. For your own safety, do not begin any exercise program without proper instruction.

RAL2-11-98

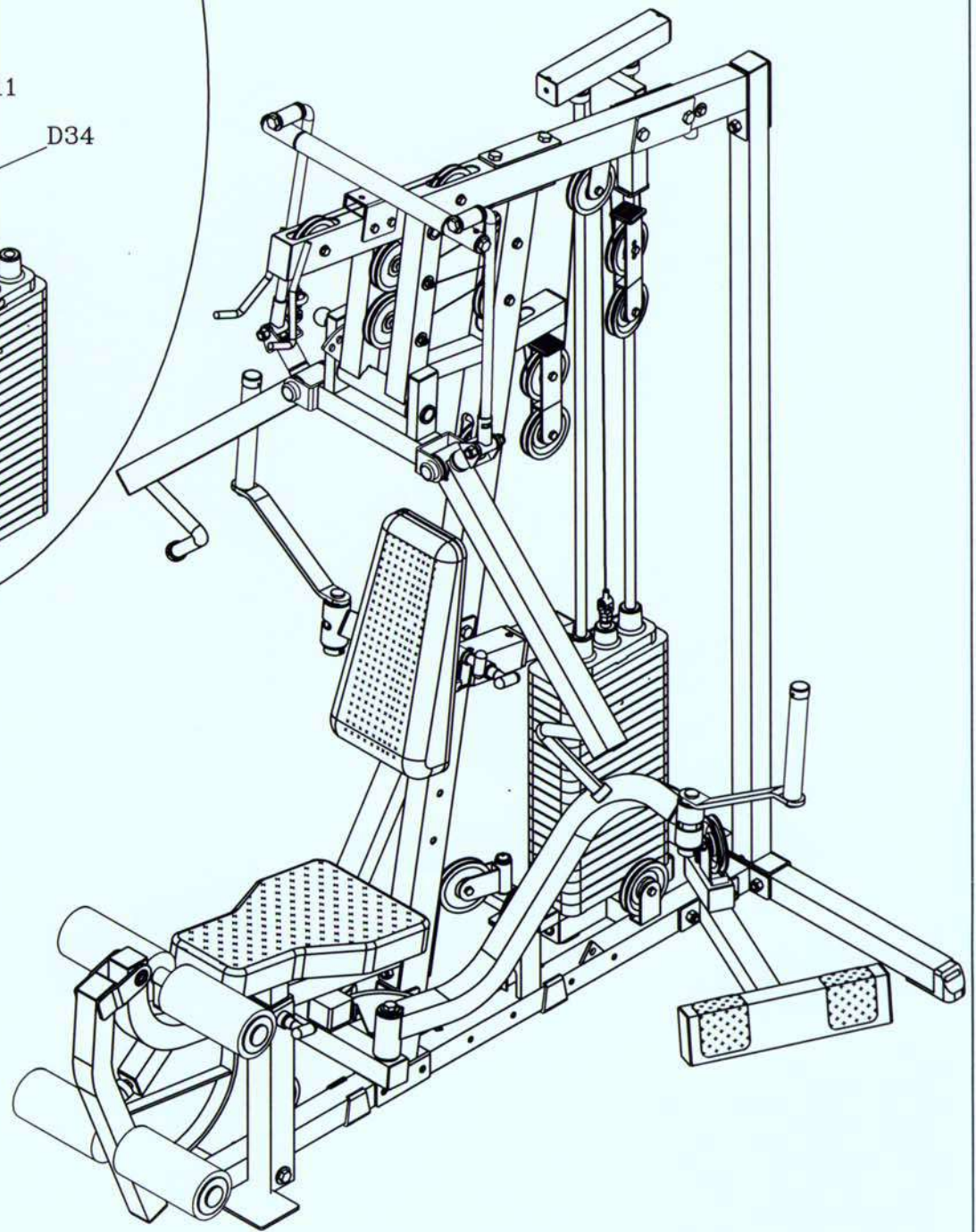
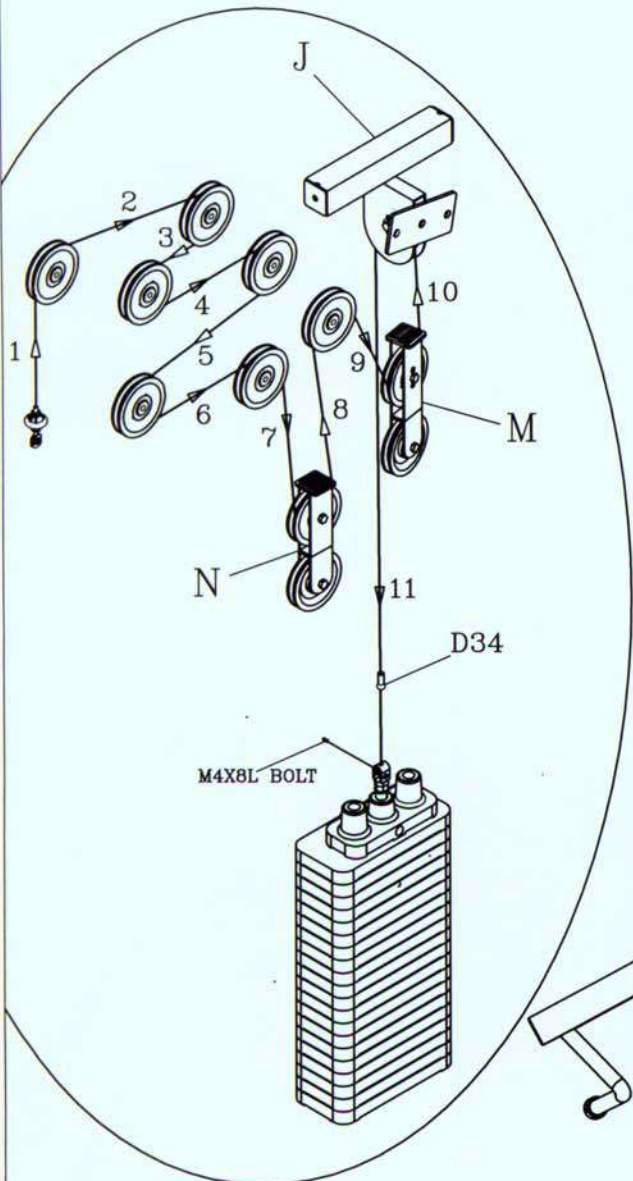
5/16" SPRING WASHER X2

5/16"X3/4" ROUND BOLT X2



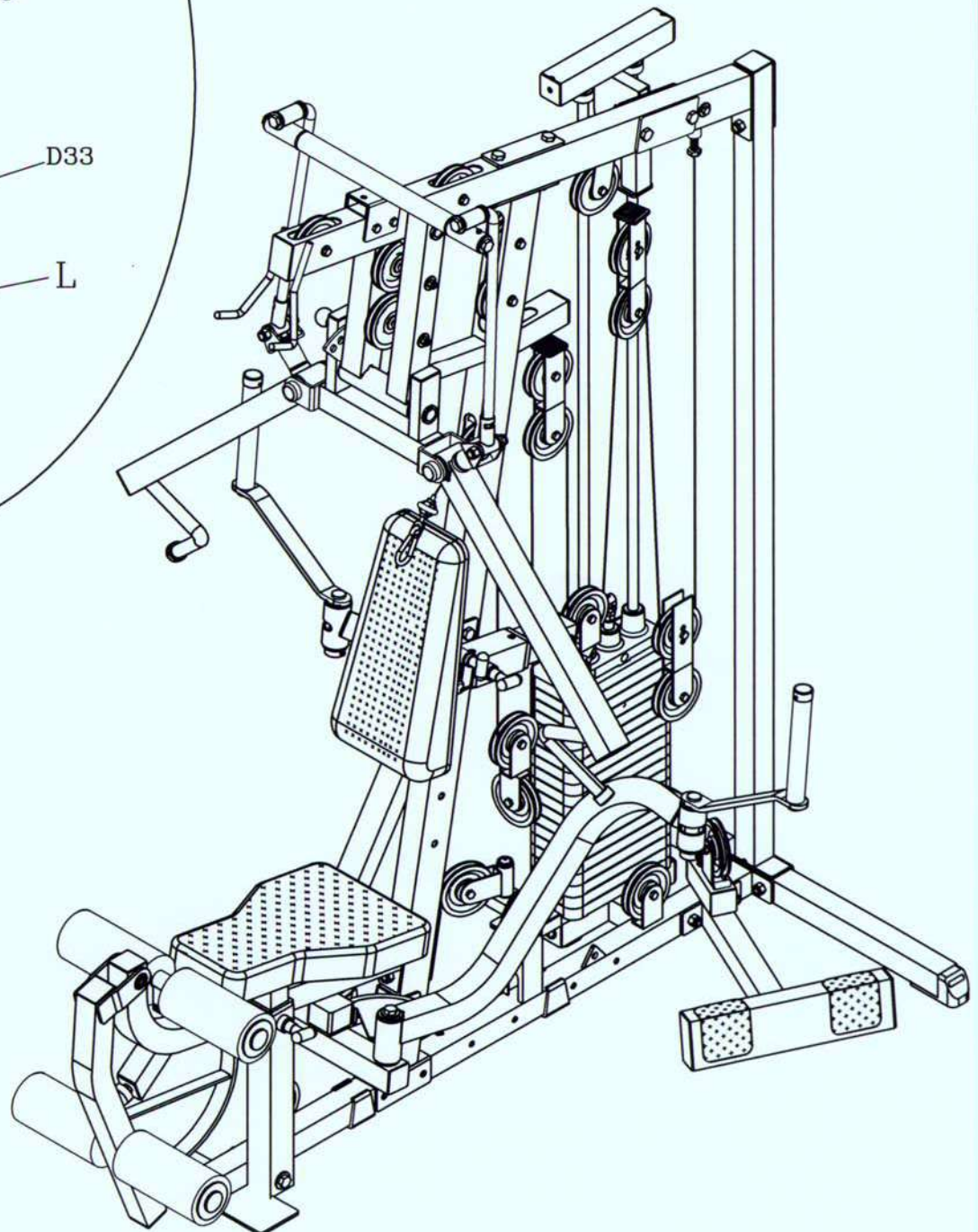
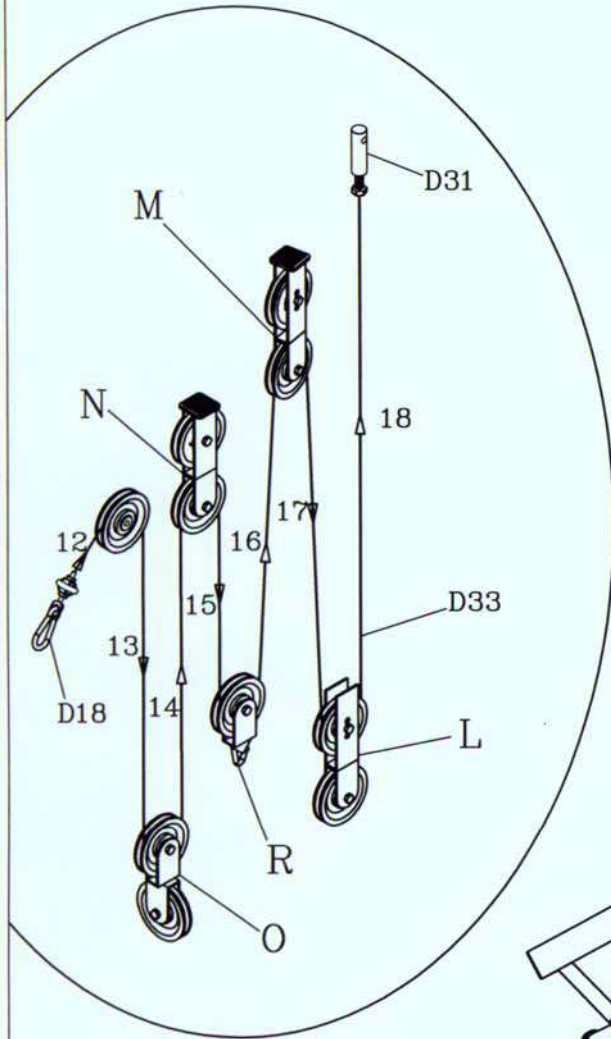
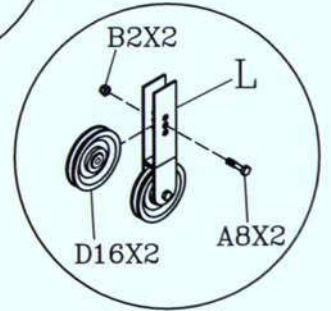
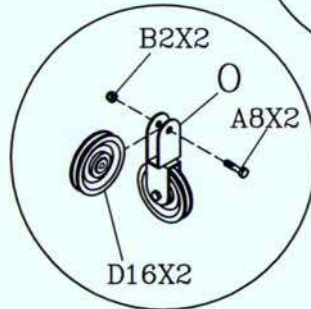
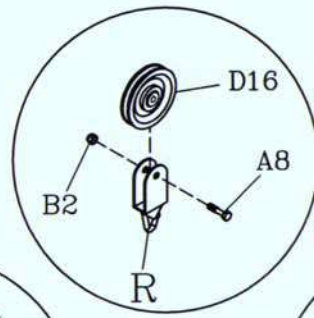
EXM-2750.6

D34 



EXM-2750.6

D33

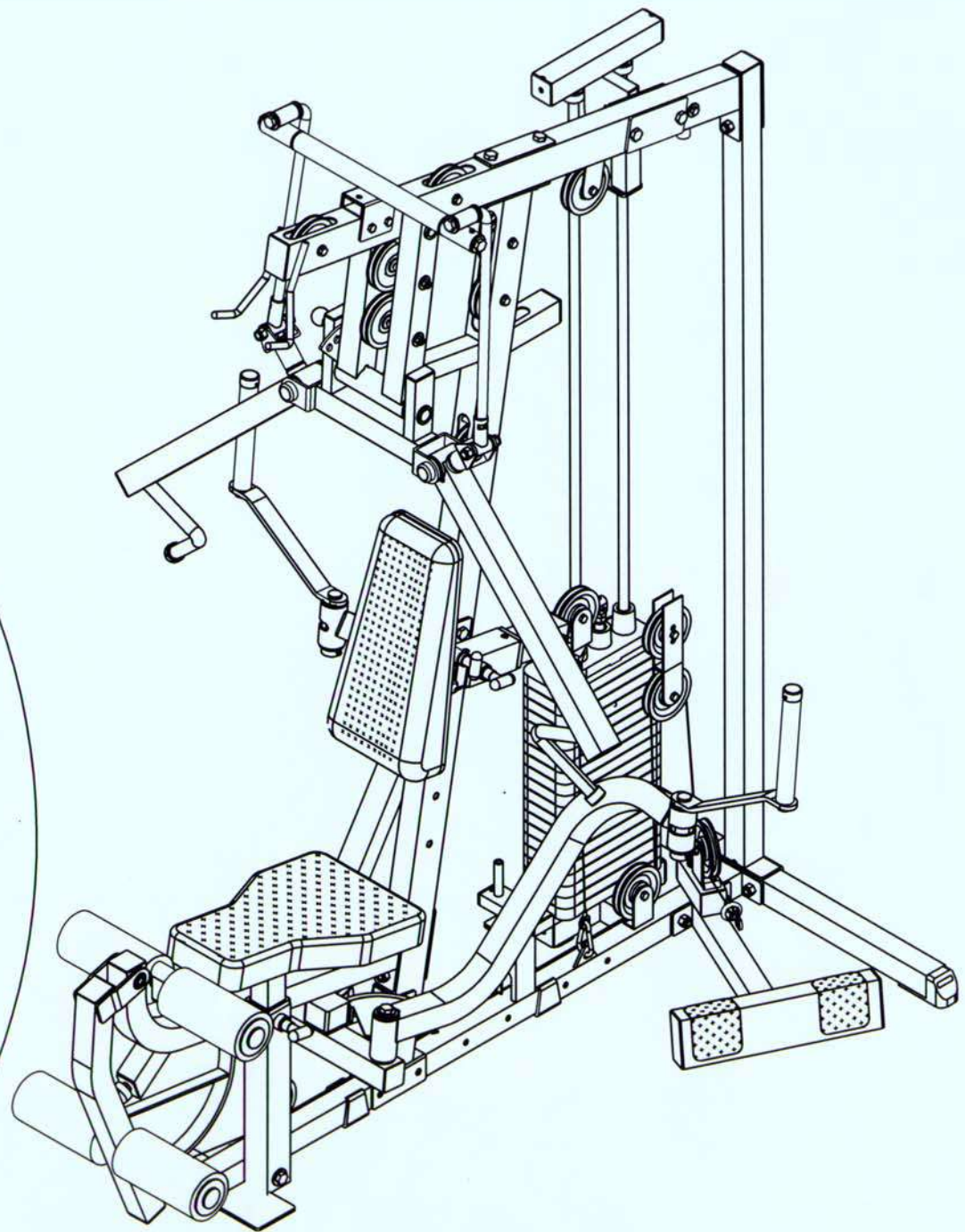
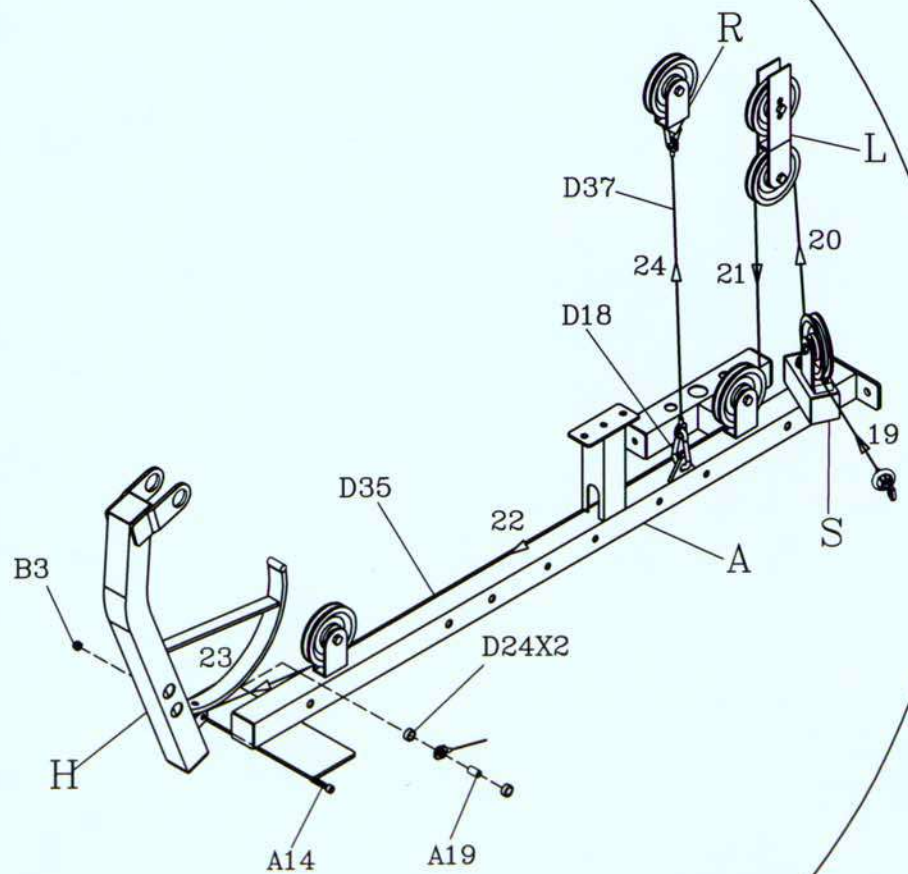


EXM-2750.6

D35



D37



EXM-2750.6

M10 ROUND BOLT X4

D36

M10 WASHER X4

ASX2

D36

26

27

25

28

B3X2

D24X2

A19X2

D24X2

A14X2

