

Align-Pilates

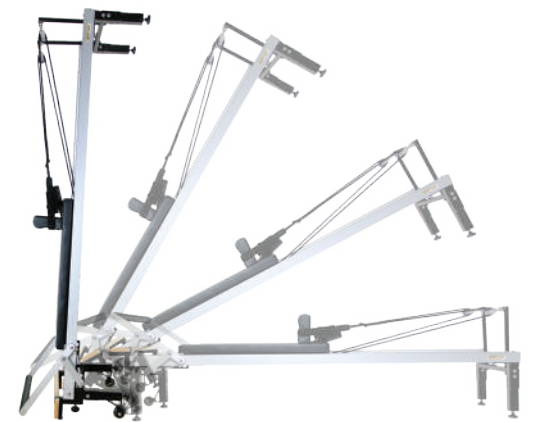
C-Series Evolution

C1 Reformer Was Born 2015



The C1 Pilates Reformer broke new ground in the European Pilates community in 2015, making a commercially warranted reformer available for only a shade over £1,000 + VAT!

The C1 Evolves Into The C1R 2016



The 2nd generation C1R was born - bringing the option of leg extensions to raise the working height whilst allowing the reformer to free stand. The C1R introduced "silent" ropes and handles, abandoning the metal hardware for a quieter user experience.

The C1R Turns Pro 2017

For 2017 we decided our bestselling reformer deserved more - so we made it possible for the Pro to accept a Half Cadillac (works with both leg heights) and going one step further to have a Full Cadillac option!

On the reformer itself we upgraded the rope adjustment system to that of its bigger brother, the A2R11 and introduced new whisper quiet wheels made from a special European engineered plastic for the quietest ride yet. We changed to removeable shoulder rests to improve the stack ability & to enable a completely flat matwork station.



C2-Pro 2018

The C2 Pro adds 6cm of travel & a 6cm longer carriage in the same overall size whilst remaining compatible with all C Series accessories! Performance improvements include a locking foot bar and patented silent pulleys plus a self-centering carriage system for the smoothest and quietest ride to date.



C2-Pro RC Launched Feb 2020

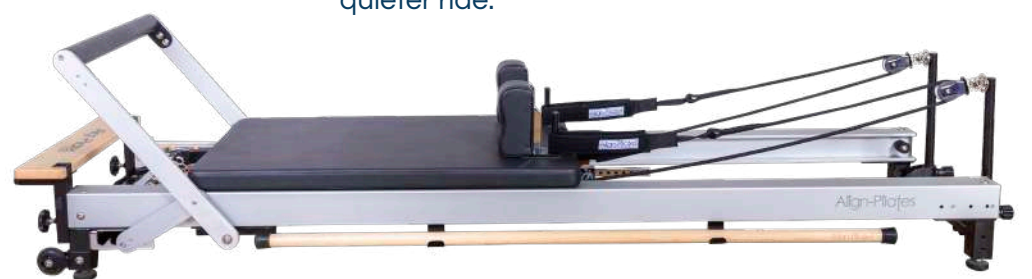
Introduction of the Align-Pilates patented RC (Rapid Change) Spring Bar which allows the adjustment of the Spring Bar in one hand, without removing any Springs or a separate carriage stopper. Other subtle changes include off centred shoulder rests, Maple Pole holders & an improved wheel material for less resistance.



The Choice is Yours!

C8-Pro Launched Aug 2020

Alongside the C2 Pro RC, we launched the C8 Pro: an 8 wheel design vs. the C2 Pro RCs 4 wheel. Having the same accessories and sharing many of the same characteristics as the C2 Pro; the C8 Pro offers a smoother, quieter ride.



C8-S Launched Oct 2022

New for Summer 2022 comes the C8-S. Whereas the bestselling C8-Pro was optimised for maximum performance, adaptability, and ease of maintenance, the C8-S seeks to repackage this proven design into a sleeker and more stylish machine. The C8-S focuses on clean flowing lines achieved by bringing the standing platform and rope risers within the frame and simplifying the legs.

